



NEMA Motor Data

MLFB-Ordering data : 1LE2221-4CB33-2AA3

Client order no. :
Order no. :
Offer no. :
Remarks :

Item no. :
Consignment no. :
Project :

Nameplate Data	Mounting and motor protection
----------------	-------------------------------

Type: GP100 - NEMA Premium Efficiency

HP	200.0	Rating	Cont.
Voltage	(32) 460V 60Hz	Ins. Class	Class F (Standard)
Amps	228.0 A	S.F.	1.15
FL RPM	1785	Amb. Temp.	40 deg C
FL Efficiency	96.2 %	Temp. Rise	Class B
FRAME	447T	kVA Code	G
DE AFBMA	100RU03M0	NEMA Des	B
ODE AFBMA	80BC03JP30	Mtr WT	2245.04
60 Hertz	3 Ph TEFC	IP	54

Type of construction (A) Foot mounted - End shield
Motor protection (A) No winding protection
Terminal box design (3) Mounting - F-1

Bearing Data		
--------------	--	--

	DE	ODE
Bearing Size	NU 320	6316 Z C3 S0
Bearing Type	Roller Bearing	Ball Bearing
AFBMA	100RU03M0	80BC03JP30

Typical Performance Data					
--------------------------	--	--	--	--	--

Load	No Load	1/2	3/4	Full Load	LRC
Efficiency		96.2 %	96.5 %	96.2 %	
Power Factor		75.0	83.0	85.0	
Current (A)	73.0 A	129.8 A	175.4 A	228.0 A	1450.0 A
Inverter Duty	VT	20:1	CT	4:1	

Mechanical Data				
-----------------	--	--	--	--

SAFE STALL TIME	HOT (s)	18	COLD (s)	25
Rtr wt (lbs)	574.20	Rtr WK2	56.5	
FLT (lb-ft)	588.000	LRT	160	BDT 200
Ext Load Inertia (WK2) Capability	831.0 lb-ft ²			

Typical Noise Data									
--------------------	--	--	--	--	--	--	--	--	--

A-weighted Sound	Octave Band Center Frequencies Hertz (Hz)								
Pressure Level	125	250	500	1000	2000	4000	8000	SPL	74
at 3 feet	51	63	70	67	68	60	50	SPwrL	85

Wiring Connection Information					
-------------------------------	--	--	--	--	--

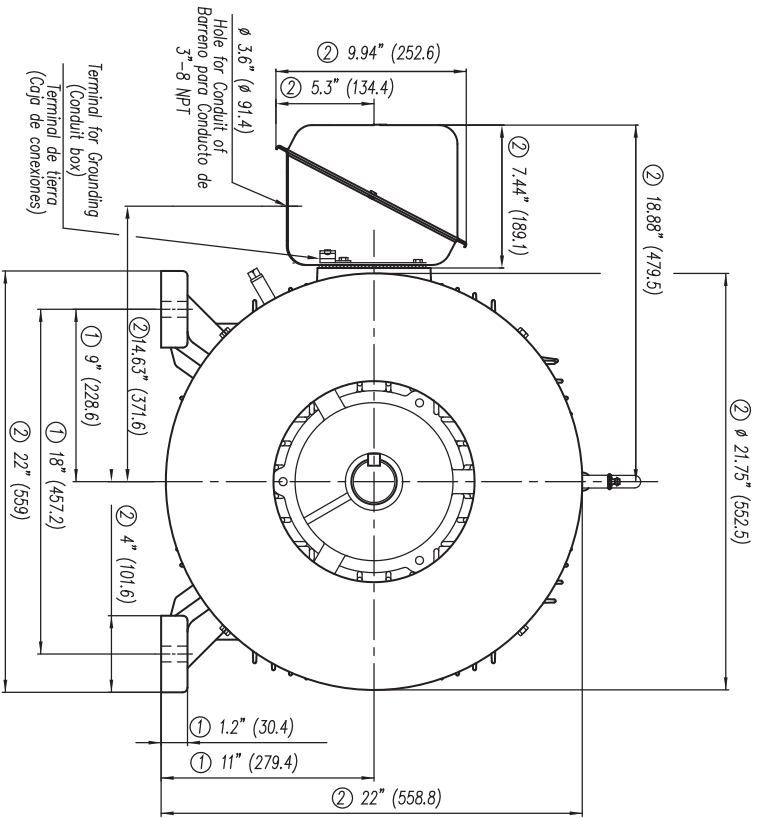
Description	3 PHASE - 6 LEAD - WYE/DELTA				
Voltage	L1	L2	L3	Connected together	
START	T1	T2	T3	T4 T5 T6	Y
RUN	T1 T6	T2 T4	T3 T5	-- --	Δ

Special design :

Lubrication Information	
-------------------------	--

Manufacturer	Mobil Polyrex EM or equal
Type	Polyurea (standard)
DE Capacity (oz.)	14.50
ODEnd Capacity (oz.)	7.50

Relubricate bearings every six months (more frequent if conditions require). See Instruction Manual.

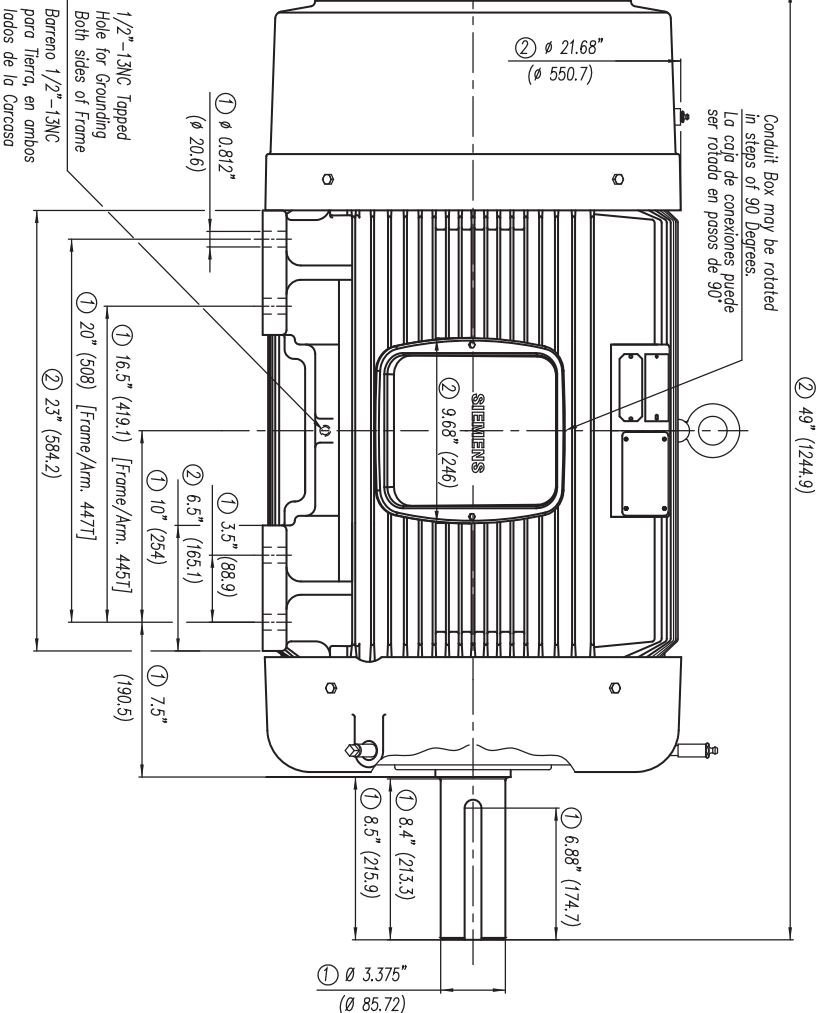


- ① Tolerances According to NEMA Std.
- ② All these dimensions corresponding to assemblies and castings shall have a tolerance as per DIN standard 1686-GTB-19.
- ③ Not According to NEMA Std.

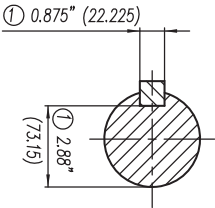
CERTIFIED PRINT / CERTIFICACION

CONSTRUCCION

PROYECTISTA	SEÑALADOR	REVISOR	REVISOR	REVISOR



②



Keyseat detail
Detalle Cuñero

Tot. in mm. acc. to / Tol. en mm. según DIN-1686-GTB-19		European Projection / Proyección Europea		Modific.	
Over/desde /to/hasta	± 4.5	Dim. in inches / Dim. en pulg		Name / Nombre	
18	± 4.7	18		A. Perez	
30	± 5	30		Date / fecha	
50	± 5.5	50		08/04/10	
80	± 6	80		Drawn / Elab.	
120	± 6.5	120		A. Real	
180	± 7	180		Check / Rev.	
250	± 7.5	250		08/04/10	
315	± 8	315		Std / Cód. / Unit	
400	± 8.5	400			
500	± 9.5	500			
630	± 10	630			

Outline / Dimensiones
New NEMA Motors (T) Long Shaft / Espiga Larga
Type: GP10 Y GP100 445/447T FRAME (Epact & mNP)

SIEMENS
3MSE 750 1511

Ref: 3MSE 750 0646 0

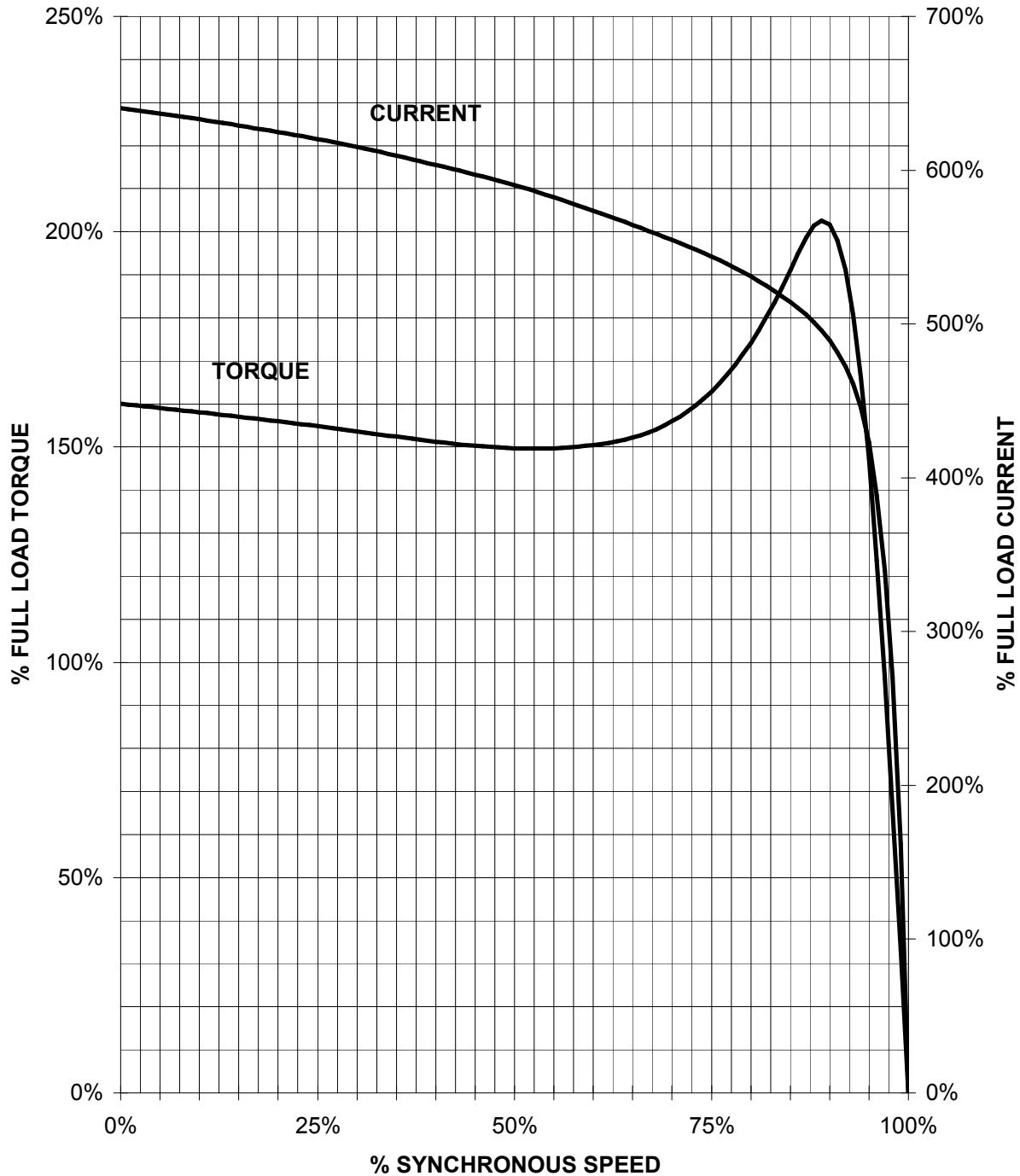
Rep: /

Scale / Escala: /

SIEMENS INDUSTRY, INC.

HP 200 VOLTS < 600V RPM 1800 TYPE GP100
HZ 60 PHASE 3 FRAME 447T NEMA B

TORQUE & CURRENT VS. SPEED



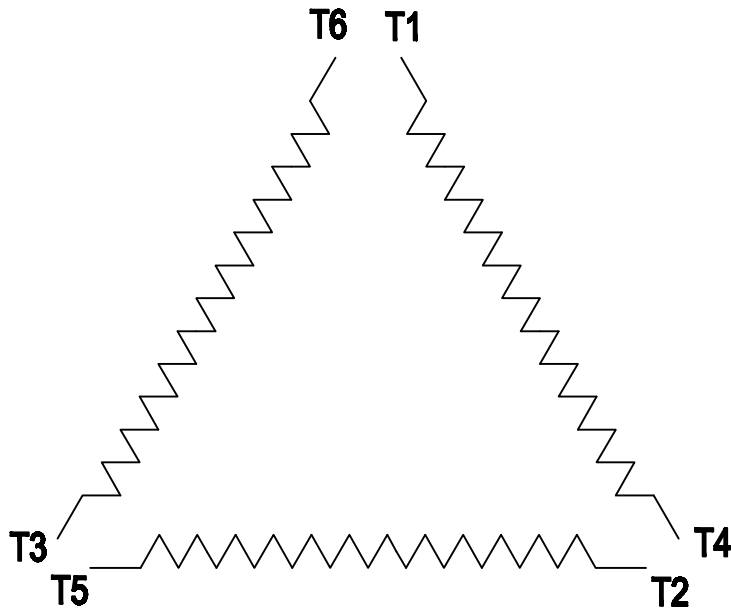
CUSTOMER: _____ ORDER#: _____

2

1

6 LEAD WYE DELTA START

	LINES			CONNECTED TOGETHER	CONN.
	L1	L2	L3		
START	T1	T2	T3	T4 T5 T6	Y
RUN	T1T6	T2 T4	T3T5		△



B

B

A

A

THIS IS A CAD DRAWING
DO NOT MAKE MANUAL CHANGES

01 | 10-4-07

TYPE

-CONFIDENTIAL-

PROPERTY OF

Siemens Energy & Automation, Inc.
Industrial Motor Division - Little Rock, AR

FRAME

HP

NAME

WIRING DIAGRAM

VOLTS

RPM

HZ

PH

3

Customer

PO #

SO #

DRAWN

10.4.07

DATE

JRH

CHECKED

DATE

APP

DATE

SHEET

1 OF 1

Sim. To

PART NO.

51-697-465

A

2

1