



NEMA Motor Data

MLFB-Ordering data : 1LE2221-4CB13-2AA3

Client order no. :
Order no. :
Offer no. :
Remarks :

Item no. :
Consignment no. :
Project :

Nameplate Data	Mounting and motor protection
----------------	-------------------------------

Type:		Rating	Cont.
HP	125.0	Ins. Class	Class F (Standard)
Voltage	(32) 460V 60Hz	S.F.	1.15
Amps	143.0 A	Amb. Temp.	40 deg C
FL RPM	1785	Temp. Rise	Class B
FL Efficiency	95.4 %	kVA Code	G
FRAME	444T	NEMA Des	B
DE AFBMA	90RU03M0	Mtr WT	1590.03
ODE AFBMA	80BC03JP30	IP	54
60 Hertz	3 Ph TEFC		

Type of construction	(A) Foot mounted - End shield
Motor protection	(A) No winding protection
Terminal box design	(3) Mounting - F-1

Bearing Data		
	DE	ODE
Bearing Size	NU 318	6316 Z C3 S0
Bearing Type	Roller Bearing	Ball Bearing
AFBMA	90RU03M0	80BC03JP30

Typical Performance Data					
--------------------------	--	--	--	--	--

Load	No Load	1/2	3/4	Full Load	LRC
Efficiency		95.4 %	95.6 %	95.4 %	
Power Factor		78.0	84.0	86.0	
Current (A)	45.0 A	78.6 A	109.3 A	143.0 A	908.0 A
Inverter Duty	VT	20:1	CT	4:1	

Mechanical Data				
-----------------	--	--	--	--

SAFE STALL TIME	HOT (s)	20	COLD (s)	25
Rtr wt (lbs)	345.26	Rtr WK2	24.6	
FLT (lb-ft)	368.000	LRT	160	BDT 200
Ext Load Inertia (WK2) Capability	105.0 lb-ft ²			

Typical Noise Data									
--------------------	--	--	--	--	--	--	--	--	--

A-weighted Sound	Octave Band Center Frequencies Hertz (Hz)								
Pressure Level	125	250	500	1000	2000	4000	8000	SPL	75
at 3 feet	53	64	73	68	66	61	51	SPwrL	86

Wiring Connection Information					
-------------------------------	--	--	--	--	--

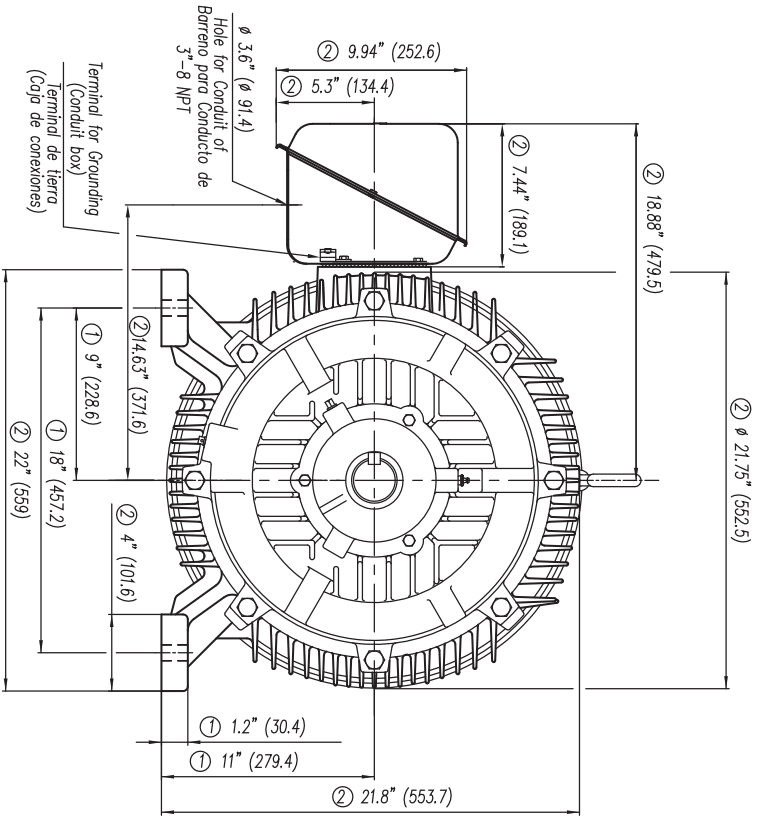
Description	3 PHASE - 6 LEAD - WYE/DELTA				
Voltage	L1	L2	L3	Connected together	
START	T1	T2	T3	T4 T5 T6	Y
RUN	T1 T6	T2 T4	T3 T5	-- --	Δ

Special design :

Lubrication Information	
-------------------------	--

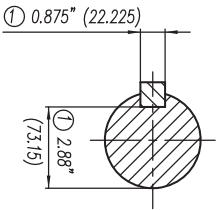
Manufacturer	Mobil Polyrex EM or equal
Type	Polyurea (standard)
DE Capacity (oz.)	14.50
ODEnd Capacity (oz.)	7.50

Relubricate bearings every six months (more frequent if conditions require). See Instruction Manual.



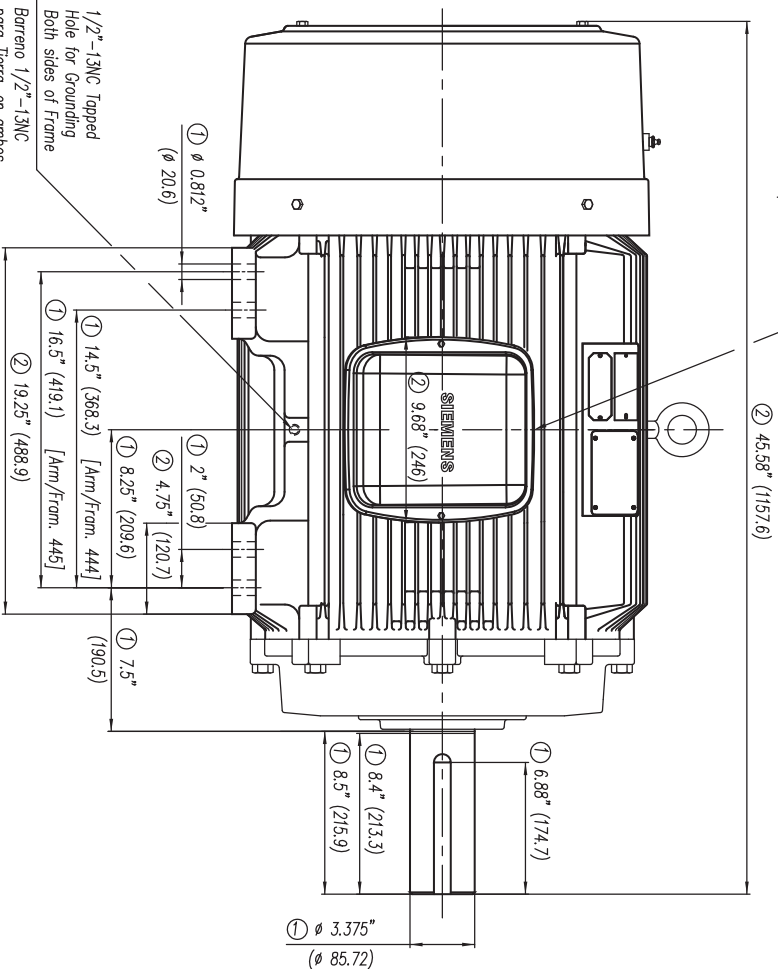
- ① Tolerancias According to NEMA Std.
- ② All these dimensions corresponding to assemblies and castings shall have a tolerance as per DIN standard 1686-GTB-19.
- ③ Not According to NEMA Std.

- ① Tolerancias acorde a NEMA Std.
- ② Todos estos dimensiones correspondientes a ensambles y fundición en bruto tendrán una tolerancia según DIN 1686-GTB-19
- ③ No Acorde a NEMA Std.



Keyseat detail
Detalle Cuñero

1/2"-13NC Tapped Hole for Grounding Both sides of Frame
Barreno 1/2"-13NC para Tierra, en ambos lados de la Carcasa



Conduit Box may be rotated in steps of 90 Degrees.
La caja de conexiones puede ser rotada en pasos de 90

②

CERTIFIED PRINT / CERTIFICACION			
GASTHER/CLIENTE		SOPORTE/CLIENTE	
PROYECTO/OPERA		TIPO/PRO	
#	PRO	FRAN/UK	WKS
			AN/IS
			W

Tol. in mm acc. to/Tol. en mm. según DIN-1686-GTB-19	Over/desde To/hasta	18	± 4,5
		30	± 4,7
		50	± 5
		80	± 5,5
		120	± 6
		180	± 6,5
		250	± 7
		315	± 7,5
		400	± 8
		500	± 8,5
		630	± 9,5
		800	± 10

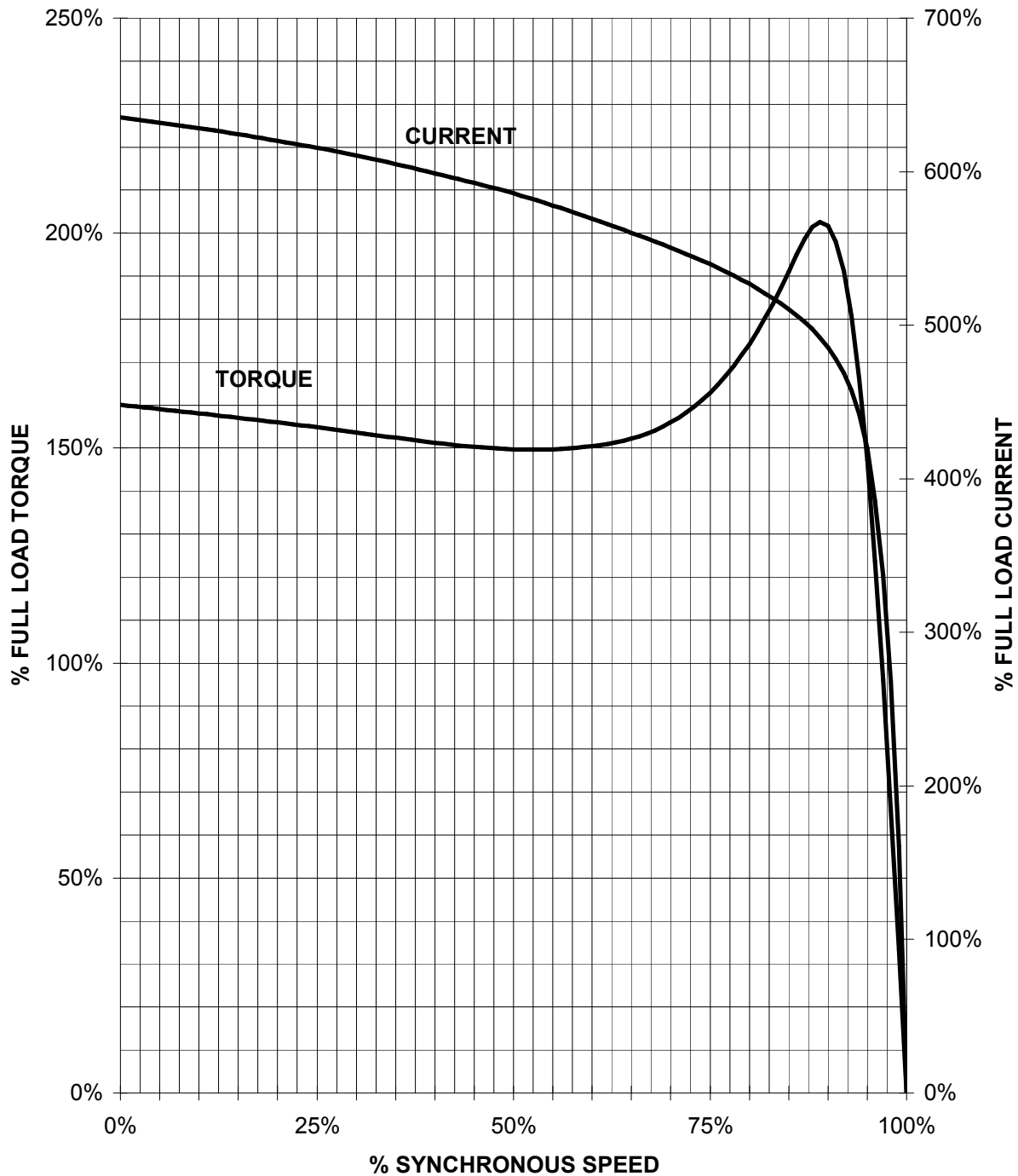
European Projection/Proyeccion Europea	Dim. in inches/dim. en pulg.	Modific.
Date/Fecha	Name/Nombre	
08/04/10	A. Perez	
Drawn/Elab.	Check/Rev.	
08/04/10	A. Red	
Std.Crd./Aut		

SIEMENS	GUADALAJARA FACTORY
Outline/Dimensiones	3MSE 750 1501
New NEMA Motors (T) Long shaft/ Espiga Larga	
Type/ Tipo:	GP10 y GP100 444/445T FRALLE (Epoct & m/HP)
Ref:	3MSE 750 0636
Rep/	SEP

SIEMENS INDUSTRY, INC.

HP 125 VOLTS < 600V RPM 1800 TYPE GP100
HZ 60 PHASE 3 FRAME 444T NEMA B

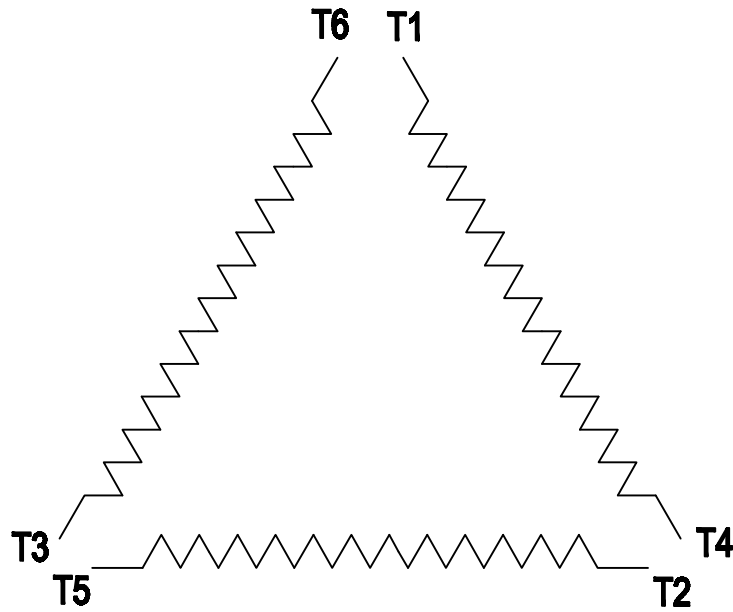
TORQUE & CURRENT VS. SPEED



CUSTOMER: _____ ORDER#: _____

6 LEAD WYE DELTA START

	LINES			CONNECTED TOGETHER	CONN.
	L1	L2	L3		
START	T1	T2	T3	T4 T5 T6	Y
RUN	T1T6	T2 T4	T3T5		△



THIS IS A CAD DRAWING
DO NOT MAKE MANUAL CHANGES

01 | 10-4-07

TYPE

-CONFIDENTIAL- PROPERTY OF
Siemens Energy & Automation, Inc.
Industrial Motor Division - Little Rock, AR

FRAME HP

NAME
WIRING DIAGRAM

VOLTS RPM HZ PH
3

Customer

DRAWN 10.4.07 DATE JRH
CHECKED DATE
APP DATE

PO # SO #

SHEET 1 OF 1 Sim. To PART NO. 51-697-465 A