



NEMA Motor Data

MLFB-Ordering data : 1LE2221-3AB21-6AA3

Client order no. :
Order no. :
Offer no. :
Remarks :

Item no. :
Consignment no. :
Project :

| | |
|-----------------------|--------------------------------------|
| Nameplate Data | Mounting and motor protection |
|-----------------------|--------------------------------------|

| | | | |
|---------------|--------------------|------------|--------------------|
| Type: | | Rating | Cont. |
| HP | 50.0 | Ins. Class | Class F (Standard) |
| Voltage | (16) 230/460V, STD | S.F. | 1.15 |
| Amps | 116.0 / 58.0 A | Amb. Temp. | 40 deg C |
| FL RPM | 1780 | Temp. Rise | Class B |
| FL Efficiency | 94.5 % | kVA Code | G |
| FRAME | 326T | NEMA Des | B |
| DE AFBMA | 60BC03JP30 | Mtr WT | 668.01 |
| ODE AFBMA | 50BC02JPP30 | IP | 54 |
| 60 Hertz | 3 Ph TEFC | | |

| | |
|----------------------|---------------------------------|
| Type of construction | (A) Foot mounted - End shield |
| Motor protection | (A) No winding protection |
| Terminal box design | (3) Mounting - F-1 |

| Bearing Data | | |
|--------------|--------------|---------------|
| | DE | ODE |
| Bearing Size | 6312 Z C3 S0 | 6210 ZZ C3 S0 |
| Bearing Type | Ball Bearing | Ball Bearing |
| AFBMA | 60BC03JP30 | 50BC02JPP30 |

| Typical Performance Data | | | | | |
|--------------------------|---------|--------|--------|--------------|---------|
| Load | No Load | 1/2 | 3/4 | Full Load | LRC |
| Efficiency | | 94.8 % | 95.0 % | 94.5 % | |
| Power Factor | | 72.0 | 81.0 | 85.0 | |
| Current (A) | 20.0 A | 34.3 A | 45.6 A | 116.0 / 58.0 | 363.0 A |
| Inverter Duty | VT | 20:1 | CT | 4:1 | |

| Mechanical Data | | | | |
|-----------------------------------|--------------------------|---------|----------|---------|
| SAFE STALL TIME | HOT (s) | 22 | COLD (s) | 45 |
| Rtr wt (lbs) | 170.80 | Rtr WK2 | 10.6 | |
| FLT (lb-ft) | 148.000 | LRT | 170 | BDT 230 |
| Ext Load Inertia (WK2) Capability | 105.0 lb-ft ² | | | |

| Typical Noise Data | | | | | | | | | |
|--------------------|--|--|--|--|--|--|--|--|--|
|--------------------|--|--|--|--|--|--|--|--|--|

| | | | | | | | | | |
|------------------|---|-----|-----|------|------|------|------|-------|----|
| A-weighted Sound | Octave Band Center Frequencies Hertz (Hz) | | | | | | | | |
| Pressure Level | 125 | 250 | 500 | 1000 | 2000 | 4000 | 8000 | SPL | 64 |
| at 3 feet | 45 | 52 | 59 | 59 | 57 | 53 | 50 | SPwrL | 75 |

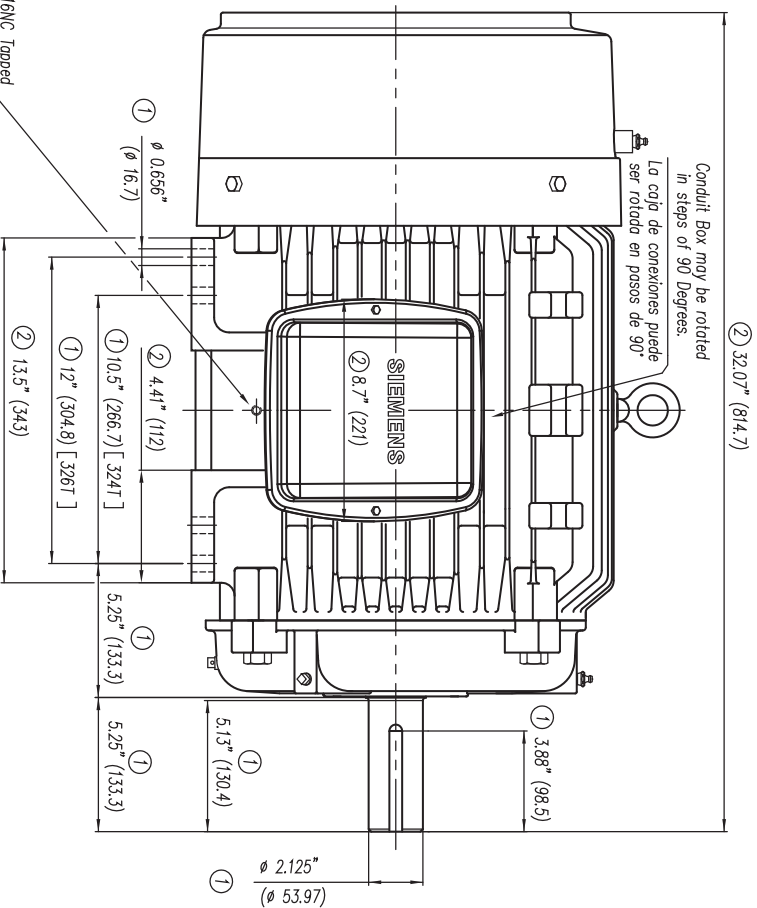
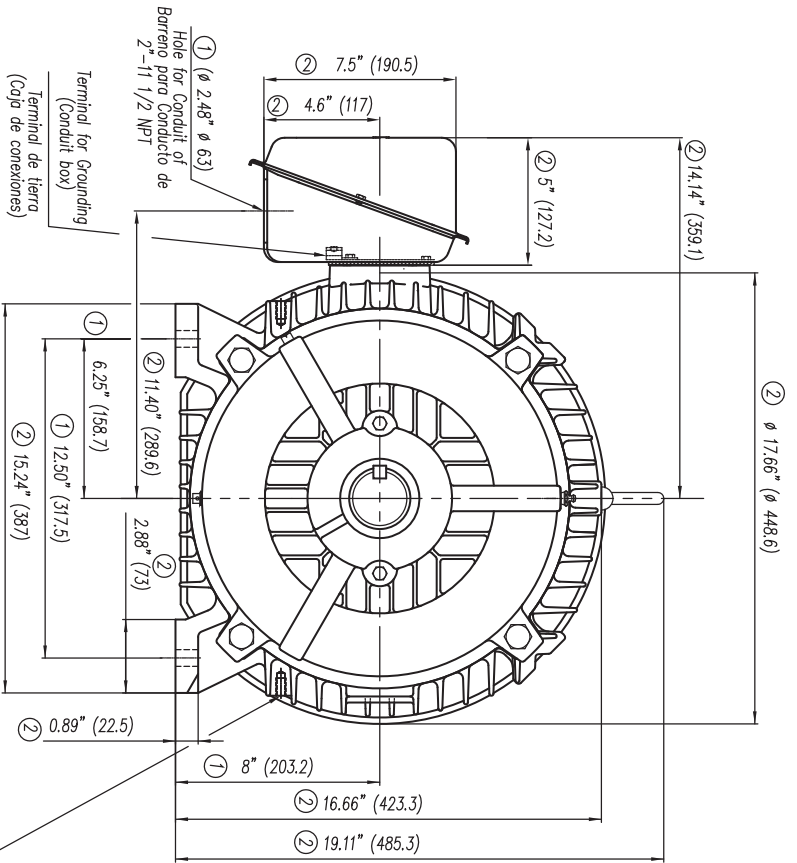
| Wiring Connection Information | | | | |
|-------------------------------|--|--|--|--|
|-------------------------------|--|--|--|--|

| | | | | | |
|-------------|--------------------------|----------|----------|---------------------|--|
| Description | 3 PHASE - 9 LEAD - DELTA | | | | |
| Voltage | L1 | L2 | L3 | Connected together | |
| LOW | T1 T7 T6 | T2 T8 T4 | T3 T9 T5 | --- -- Δ Δ | |
| HIGH | T1 | T2 | T3 | T4 T7-T5 T8-T6 T9 Δ | |

| |
|------------------|
| Special design : |
|------------------|

| Lubrication Information | |
|-------------------------|--|
|-------------------------|--|

| | |
|----------------------|---------------------------|
| Manufacturer | Mobil Polyrex EM or equal |
| Type | Polyurea (standard) |
| DE Capacity (oz.) | -/- |
| ODEnd Capacity (oz.) | -/- |

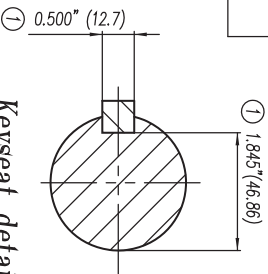


3/8"-16NC Tapped
Hole for Grounding
Both sides of Frame
(Resaca para Tierra
en ambos lados)

- ① Tolerances According to NEMA Std.
- ② All these dimensions corresponding to assemblies and castings shall have a tolerance as per DIN standard 1686-G1B 19.
- ① Tolerancias acorde a NEMA Std.
- ② Todos estas dimensiones correspondientes a ensambles y fundición en bruto, tendrán una tolerancia según DIN 1686-G1B-19.

CERTIFIED PRINT / CERTIFICACION

| | | | |
|-------------------|------------|----------------------|------------|
| CUSTOMER/CLIENTE | | SAP/PROYECTO CLIENTE | |
| PART/ORDER NUMBER | | PARTS | |
| REV | DATE/FECHA | REV | DATE/FECHA |



Keyseat detail
Detalle Cuñero

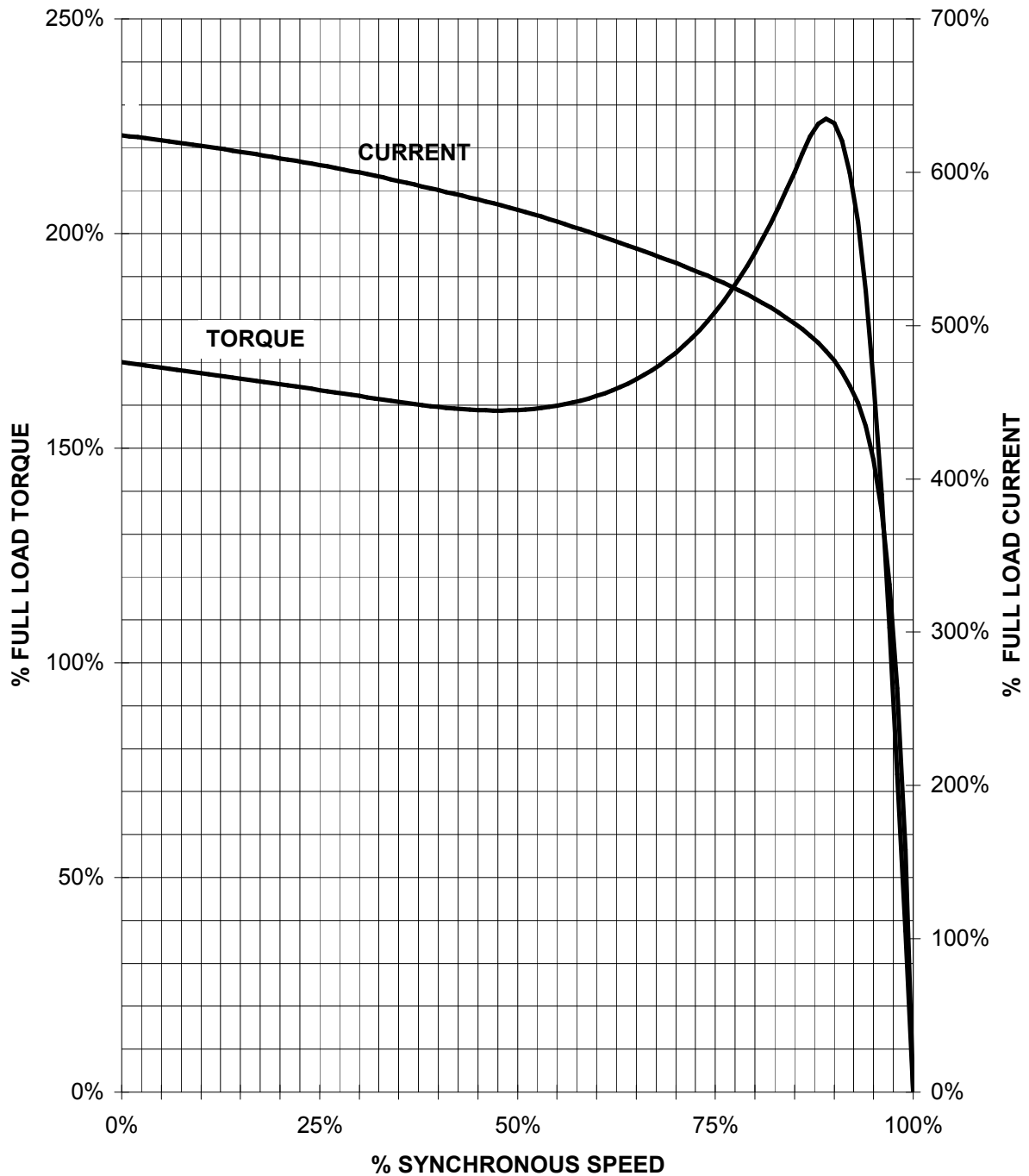
| | | | | | | | |
|---|----------|--|----------|--------------------------|----------|------------------------------------|--------------|
| Tol. in mm, acc. to/Tol. en mm. según DIN-1686-G1B-19 | | European Projection/Proyeccion Europea | | Date/fecha | | Type/GR100 mNP FRAME/ARL. 324/326T | |
| Over/desde | To/hasta | Dim. in inches/Dim. en pulg. | Modific. | Draw/Elab. | 08/04/10 | A. Perez | Scale/Escala |
| 18 | 30 | ± 4.5 | | Check/Rev. | 08/04/10 | A. Real | W/O |
| 30 | 50 | ± 5 | | Std/cld/Aut | | | SIN |
| 50 | 80 | ± 5.5 | | Outline/Dimensiones | | | |
| 80 | 120 | ± 6 | | Long Shaft/ Espiga Larga | | | |
| 120 | 180 | ± 6.5 | | 3MSE 720 1410 | | | |
| 180 | 250 | ± 7 | | Ref. 3MSE 720 1155 | | | |
| 250 | 315 | ± 7.5 | | Rep/ | | | |
| 315 | 400 | ± 8 | | 3MSE 720 1410 | | | |
| 400 | 500 | ± 8.5 | | Ref. 3MSE 720 1155 | | | |
| 500 | 630 | ± 9.5 | | 3MSE 720 1410 | | | |
| 630 | 800 | ± 10 | | Ref. 3MSE 720 1155 | | | |

SIEMENS
GUADALAJARA FACTORY

SIEMENS INDUSTRY, INC.

HP 50 VOLTS < 600V RPM 1800 TYPE GP100
HZ 60 PHASE 3 FRAME 326T NEMA B

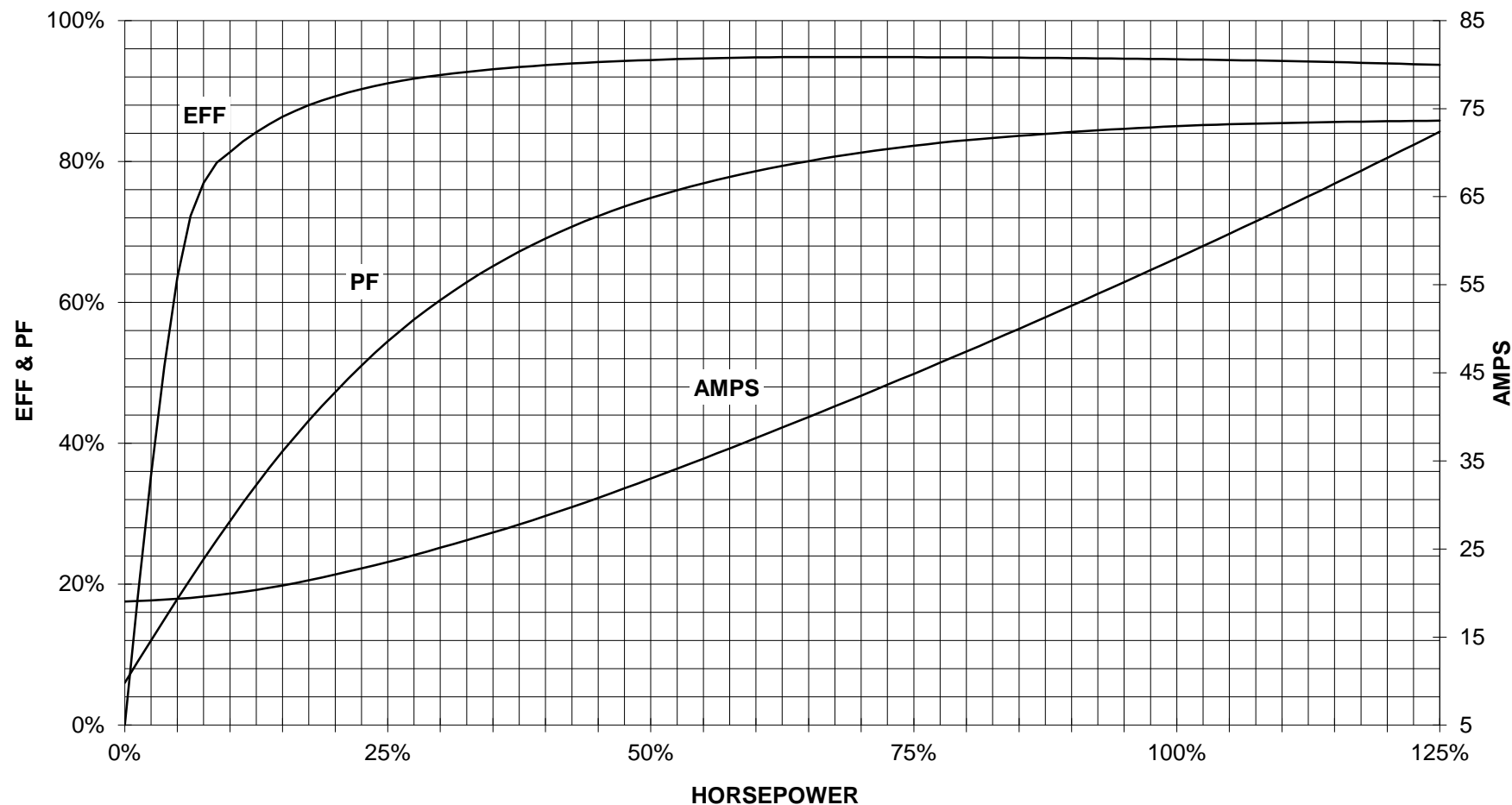
TORQUE & CURRENT VS. SPEED



CUSTOMER: _____ ORDER#: _____

50 HP 1800 RPM 326T FRAME 460 VOLTS 3 PHASE NEMA DESIGN B

SIEMENS INDUSTRY, INC.
PERFORMANCE CURVE
GP100



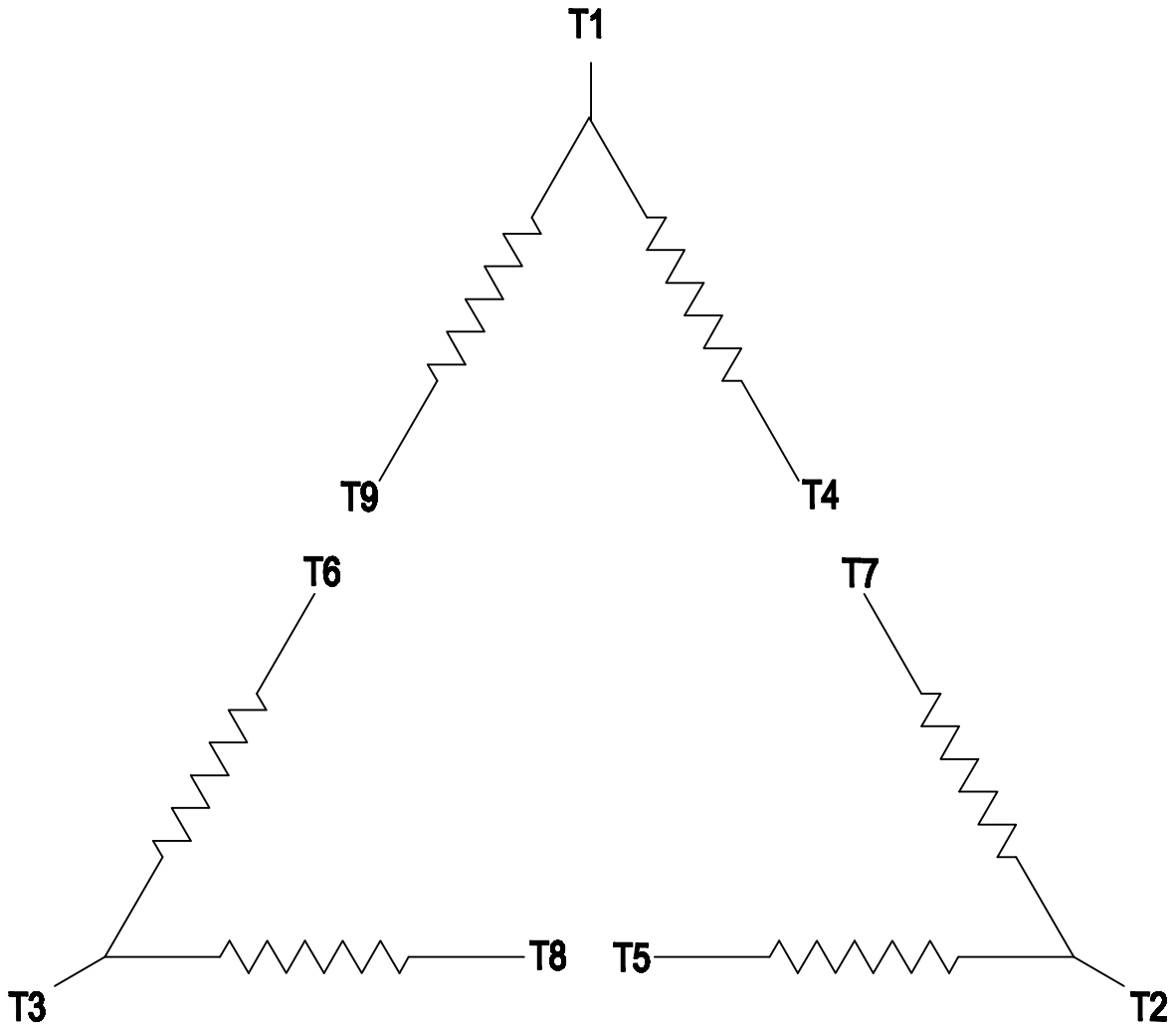
CUSTOMER _____ ORDER # _____ PO # _____

PERFORMANCE BASED ON DESIGN CALCULATIONS. SUBJECT TO CHANGE WITHOUT NOTICE.

REV. 1

2

1



3 PHASE - 9 LEADS - DELTA

| VOLTS | LINES | | | CONNECTED TOGETHER | CONN. |
|-------|-------------|-------------|-------------|--------------------|-------|
| | L1 | L2 | L3 | | |
| LOW | T1 T7 T6 | T2 T8 T4 | T3 T9 T5 | | △ △ |
| HIGH | T1 | T2 | T3 | T4 T7-T5 T8-T6 T9 | △ |

THIS IS A CAD DRAWING
DO NOT MAKE MANUAL CHANGES

| | | | | | | | | | |
|---------|----------|---------|------|------------------------|--|----------|--|---|--|
| 01 | 09-27-07 | TYPE | | -CONFIDENTIAL- | | | | PROPERTY OF Siemens Little Rock, AR | |
| FRAME | | HP | | NAME WIRING DIAGRAM | | | | | |
| VOLTS | | RPM | HZ | PH 3 | | Customer | | | |
| DRAWN | | 9.24.07 | DATE | JRH | | PO # | | SO # | |
| CHECKED | | DATE | | SHEET 1 OF 1 | | Sim. To | | PART NO. 51-382-114-504 | |
| APP | | DATE | | | | | | A | |

2

1