



NEMA Motor Data

MLFB-Ordering data : 1LE2221-1CB31-4AA3

Client order no. :
Order no. :
Offer no. :
Remarks :

Item no. :
Consignment no. :
Project :

Nameplate Data	Mounting and motor protection
----------------	-------------------------------

Type:		Rating	Cont.
HP	5.0	Ins. Class	Class F (Standard)
Voltage	(14) 208-230/460V,	S.F.	1.15
Amps	13.0 / 6.5 A	Amb. Temp.	40 deg C
FL RPM	1755	Temp. Rise	Class B
FL Efficiency	89.5 %	kVA Code	K
FRAME	184T	NEMA Des	B
DE AFBMA	30BC02JPP30	Mtr WT	104.06
ODE AFBMA	30BC02JPP30	IP	35
60 Hertz	3 Ph TEFC		

Type of construction (A) Foot mounted - End shield
Motor protection (A) No winding protection
Terminal box design (3) Mounting - F-1

Bearing Data		
--------------	--	--

	DE	ODE
Bearing Size	6206 ZZ C3 S0	6206 ZZ C3 S0
Bearing Type	Ball Bearing	Ball Bearing
AFBMA	30BC02JPP30	30BC02JPP30

Typical Performance Data					
--------------------------	--	--	--	--	--

Load	No Load	1/2	3/4	Full Load	LRC
Efficiency		89.2 %	90.0 %	89.5 %	
Power Factor		63.6	75.1	80.5	
Current (A)	3.0 A	4.1 A	5.2 A	13.0 / 6.5 A	46.0 A
Inverter Duty	VT	20:1	CT	4:1	

Mechanical Data				
-----------------	--	--	--	--

SAFE STALL TIME	HOT (s)	14	COLD (s)	29
Rtr wt (lbs)	19.27	Rtr WK2	0.25	
FLT (lb-ft)	15.000	LRT	220	BDT 353
Ext Load Inertia (WK2) Capability	105.0 lb-ft ²			

Typical Noise Data										
--------------------	--	--	--	--	--	--	--	--	--	--

A-weighted Sound	Octave Band Center Frequencies Hertz (Hz)									
Pressure Level	125	250	500	1000	2000	4000	8000	SPL	63	
at 3 feet	33	51	54	60	58	48	39	SPwrL	72	

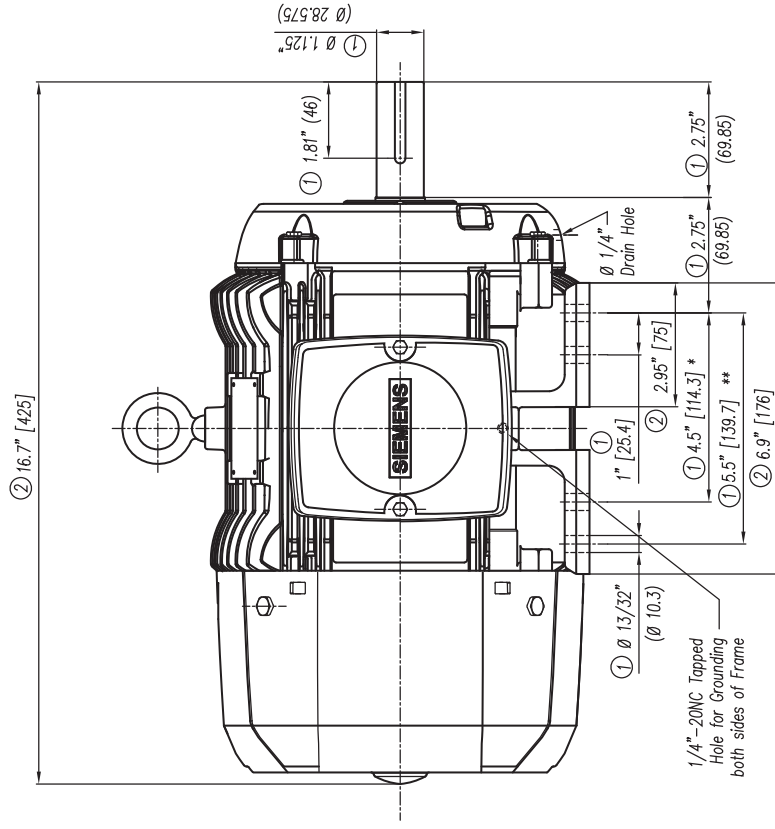
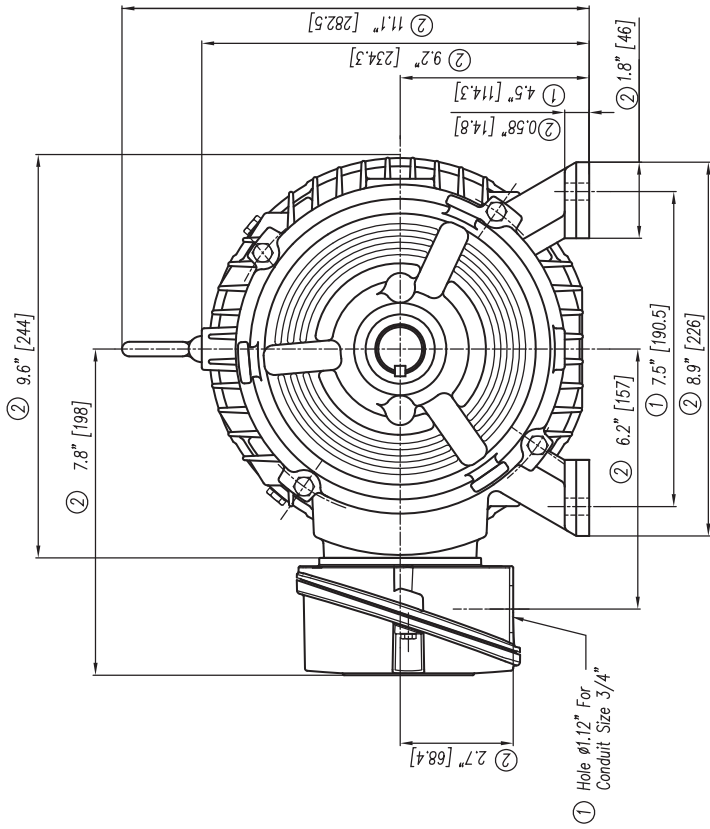
Wiring Connection Information					
-------------------------------	--	--	--	--	--

Description	3 PHASE - 9 LEAD - WYE				
Voltage	L1	L2	L3	Connected together	
LOW	T1 T7	T2 T8	T3 T9	T4 T5 T6 YY	
HIGH	T1	T2	T3	T4 T7-T5 T8-T6 T9 Y	

Special design :

Lubrication Information	
-------------------------	--

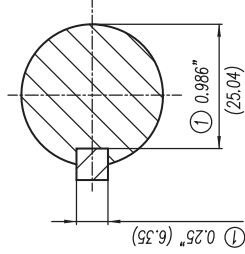
Manufacturer	Mobil Polyrex EM or equal
Type	Polyurea (standard)
DE Capacity (oz.)	0.20
ODEnd Capacity (oz.)	0.20



- ① Tolerancias According to NEMA Std.
- ② All these dimensions corresponding to assemblies and castings shall have a tolerance as per DIN standard 1686-GTB 19.
- ③ Not According to NEMA Std.

- ① Tolerancias acorde a NEMA Std.
- ② Todas estas dimensiones correspondientes a ensambles y fundición en bruto tendrán una tolerancia según DIN 1686-GTB-19
- ③ No Acorde a NEMA Std.

* Arm 182T
** Arm 184T



Keyseat detail
Detalle Cuñero

CERTIFIED PRINT / CERTIFICACION			
CUSTOMER/CLIENTE		SPAIN/PAISES BAJOS	
IP	ENV	FRANK/ARM	TYPE/ARM
		VOLTS	PHASES
			NZ

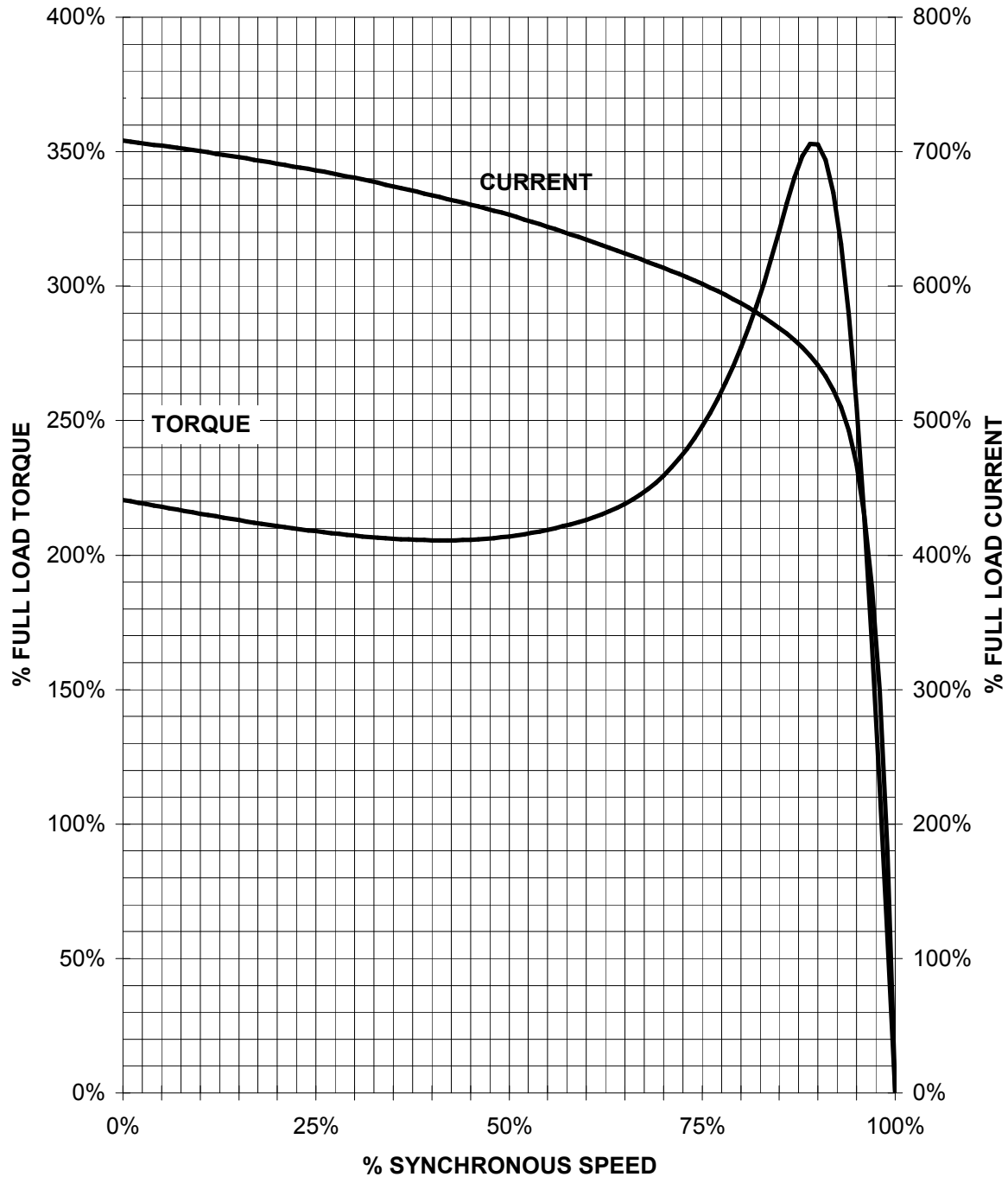
 European Projection/ Proyeccion Europea		 Dim. in inches/Dim. en pulg.	
Tol. in mm. acc. to/ Tol. en mm. según DIN-1686-GTB-19		Date/ Fecha	
Over/ desde	To/ hasta	Drawn/ Elab.	Check/ Rev.
---	18	120	180
	30	180	250
	50	315	400
	80	500	630
	120	630	800
	180	800	
	250		
	315		
	400		
	500		
	630		
	800		
	± 4.5		
	± 4.7		
	± 5		
	± 5.5		
	± 6		
	± 6.5		
	± 7		
	± 7.5		
	± 8		
	± 8.5		
	± 9.5		
	± 10		
Name/Nombre Guaymón		Type/ Tipo: GP100 182/184T Frame/Arm. Mexico	
Scale/ Escala Sin W/O		Ref. / 3MSE 221 0850	
SIEMENS GUADALAJARA FACTORY		Outline / Dimensiones New NEMA Motors 3MSE 221 0850a)	

② Se cambió formato a inglés-Español y se especificó tipos en los que aplica este dibujo.
g) Changed the format to English-Spanish and was specified in what kind of motors apply this drawing.

SIEMENS INDUSTRY, INC.

HP 5 VOLTS < 600V RPM 1800 TYPE GP100
HZ 60 PHASE 3 FRAME 184T NEMA B

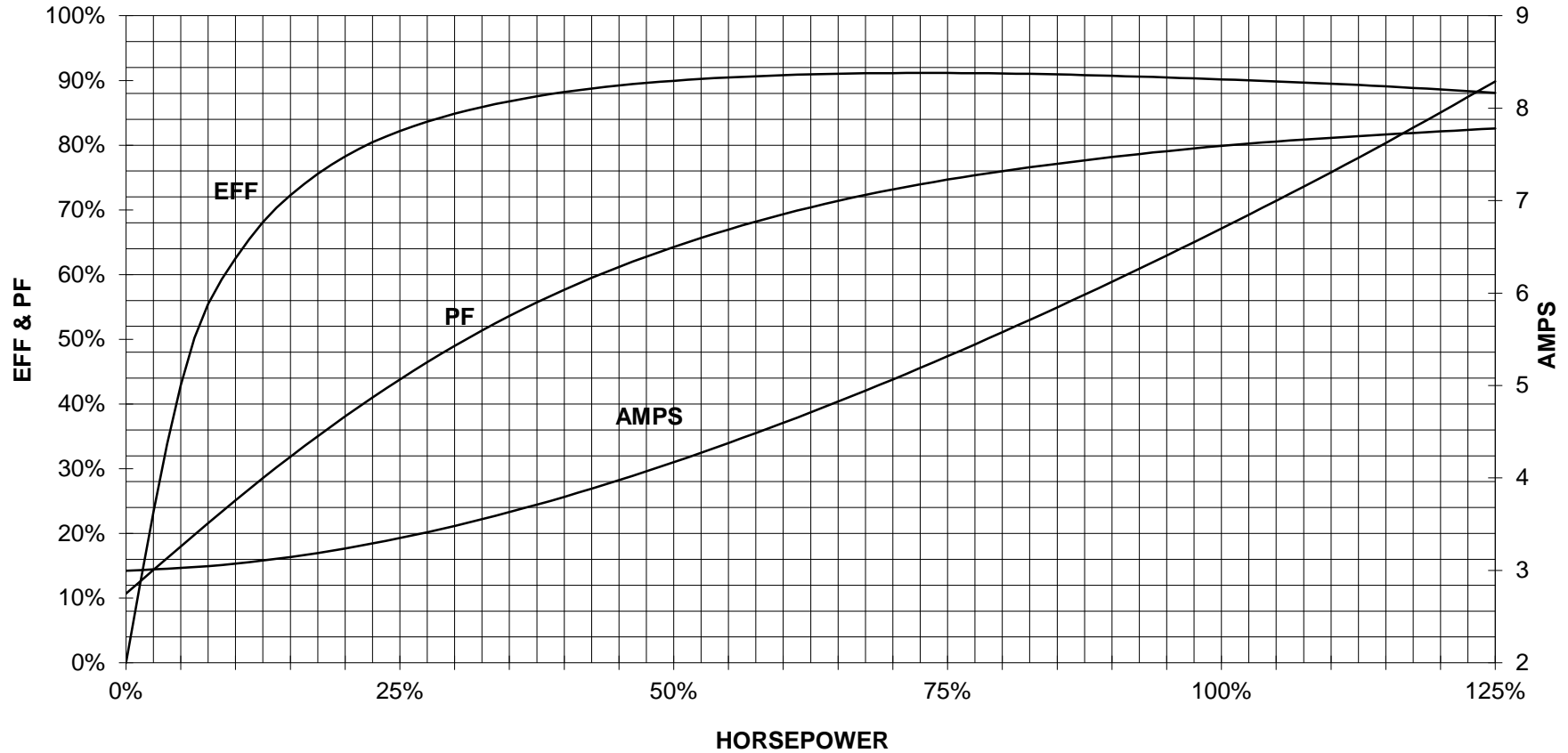
TORQUE & CURRENT VS. SPEED



CUSTOMER: _____ ORDER#: _____

5 HP 1800 RPM 184T FRAME 460 VOLTS 3 PHASE NEMA DESIGN B

SIEMENS INDUSTRY, INC.
PERFORMANCE CURVE
GP100



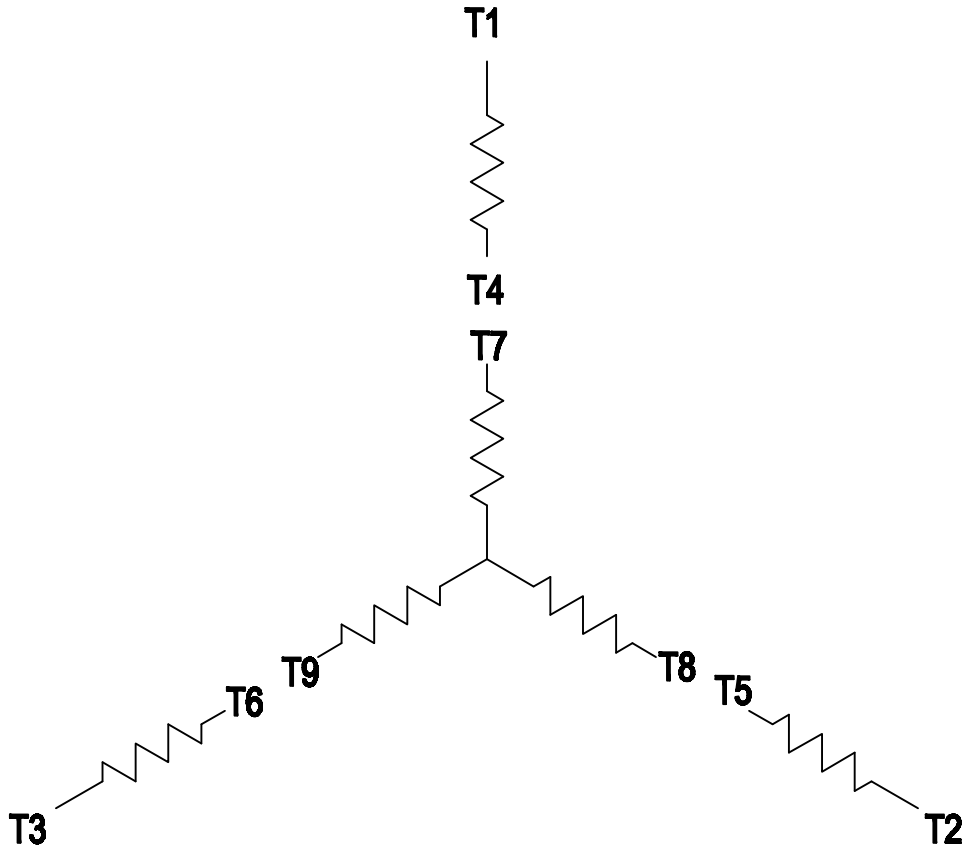
CUSTOMER _____ ORDER # _____ PO # _____

PERFORMANCE BASED ON DESIGN CALCULATIONS. SUBJECT TO CHANGE WITHOUT NOTICE.

REV. 1

3 PHASE - 9 LEADS - WYE

VOLTS	LINES			CONNECTED TOGETHER	CONN.
	L1	L2	L3		
LOW	T1 T7	T2 T8	T3 T9	T4 T5 T6	Y Y
HIGH	T1	T2	T3	T4 T7-T5 T8-T6 T9	Y



THIS IS A CAD DRAWING
DO NOT MAKE MANUAL CHANGES

01 | 09-27-07

TYPE

-CONFIDENTIAL-

PROPERTY OF

Siemens Energy & Automation, Inc.
Industrial Motor Division - Little Rock, AR

FRAME

HP

NAME

WIRING DIAGRAM

VOLTS

RPM

HZ

PH

3

Customer

PO #

SO #

DRAWN 9.24.07

DATE JRH

CHECKED

DATE

APP

DATE

SHEET

1 OF 1

Sim. To

PART NO.

51-382-114-501

A