



## NEMA Motor Data

MLFB-Ordering data : 1LE2221-1CB11-4AA3

Client order no. :  
Order no. :  
Offer no. :  
Remarks :

Item no. :  
Consignment no. :  
Project :

Nameplate Data	Mounting and motor protection
----------------	-------------------------------

Type:		Rating	Cont.
HP	3.0	Ins. Class	Class F (Standard)
Voltage	(14) 208-230/460V,	S.F.	1.15
Amps	8.0 / 4.0 A	Amb. Temp.	40 deg C
FL RPM	1760	Temp. Rise	Class B
FL Efficiency	89.5 %	kVA Code	K
FRAME	182T	NEMA Des	B
DE AFBMA	30BC02JPP30	Mtr WT	98.11
ODE AFBMA	30BC02JPP30	IP	35
60 Hertz	3 Ph TEFC		

Type of construction (A) Foot mounted - End shield  
Motor protection (A) No winding protection  
Terminal box design (3) Mounting - F-1

Bearing Data		
--------------	--	--

	DE	ODE
Bearing Size	6206 ZZ C3 S0	6206 ZZ C3 S0
Bearing Type	Ball Bearing	Ball Bearing
AFBMA	30BC02JPP30	30BC02JPP30

Typical Performance Data					
--------------------------	--	--	--	--	--

Load	No Load	1/2	3/4	Full Load	LRC
Efficiency		87.8 %	89.4 %	89.5 %	
Power Factor		59.5	71.7	78.5	
Current (A)	2.1 A	2.7 A	3.3 A	8.0 / 4.0 A	33.0 A
Inverter Duty	VT	20:1	CT	4:1	

Mechanical Data				
-----------------	--	--	--	--

SAFE STALL TIME	HOT (s)	17	COLD (s)	29	
Rtr wt (lbs)	21.68	Rtr WK2	0.29		
FLT (lb-ft)	9.000	LRT	233	BDT	356
Ext Load Inertia (WK2) Capability	105.0 lb-ft <sup>2</sup>				

Typical Noise Data										
--------------------	--	--	--	--	--	--	--	--	--	--

A-weighted Sound	Octave Band Center Frequencies Hertz (Hz)									
Pressure Level	125	250	500	1000	2000	4000	8000	SPL	63	
at 3 feet	33	51	54	60	58	48	39	SPwrL	72	

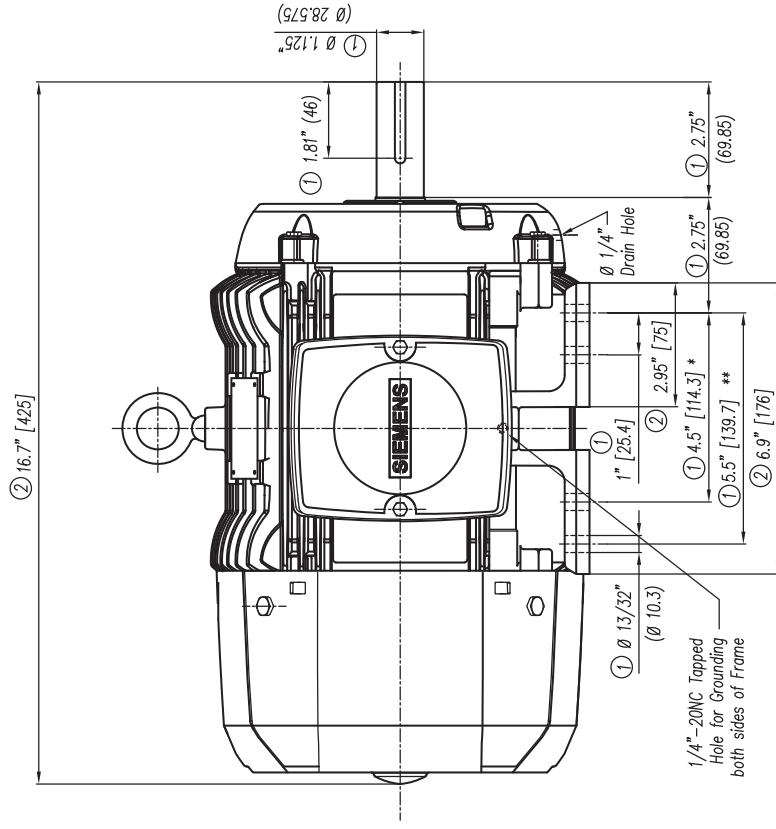
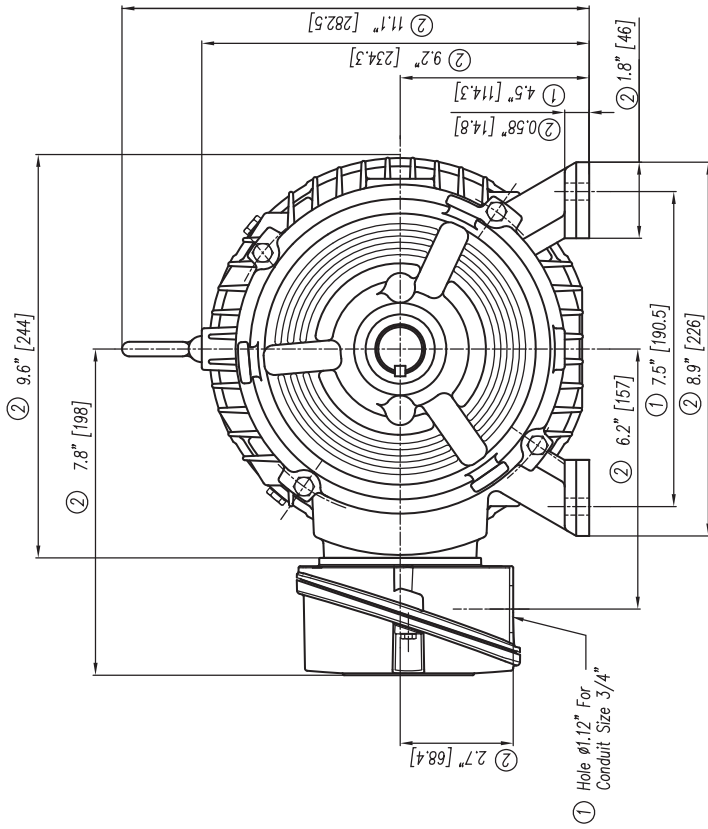
Wiring Connection Information					
-------------------------------	--	--	--	--	--

Description	3 PHASE - 9 LEAD - WYE				
Voltage	L1	L2	L3	Connected together	
LOW	T1 T7	T2 T8	T3 T9	T4 T5 T6	
HIGH	T1	T2	T3	T4 T7-T5 T8-T6 T9	
				YY	
				Y	

Special design :
------------------

Lubrication Information	
-------------------------	--

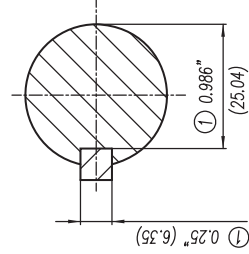
Manufacturer	Mobil Polyrex EM or equal
Type	Polyurea (standard)
DE Capacity (oz.)	0.20
ODEnd Capacity (oz.)	0.20



- ① Tolerancias According to NEMA Std.
- ② All these dimensions corresponding to assemblies and castings shall have a tolerance as per DIN standard 1686-GTB 19.
- ③ Not According to NEMA Std.

- ① Tolerancias acorde a NEMA Std.
- ② Todas estas dimensiones correspondientes a ensambles y fundición en bruto tendrán una tolerancia según DIN 1686-GTB-19
- ③ No Acorde a NEMA Std.

\* Arm 182T  
\*\* Arm 184T



Keyseat detail  
Detalle Cuñero

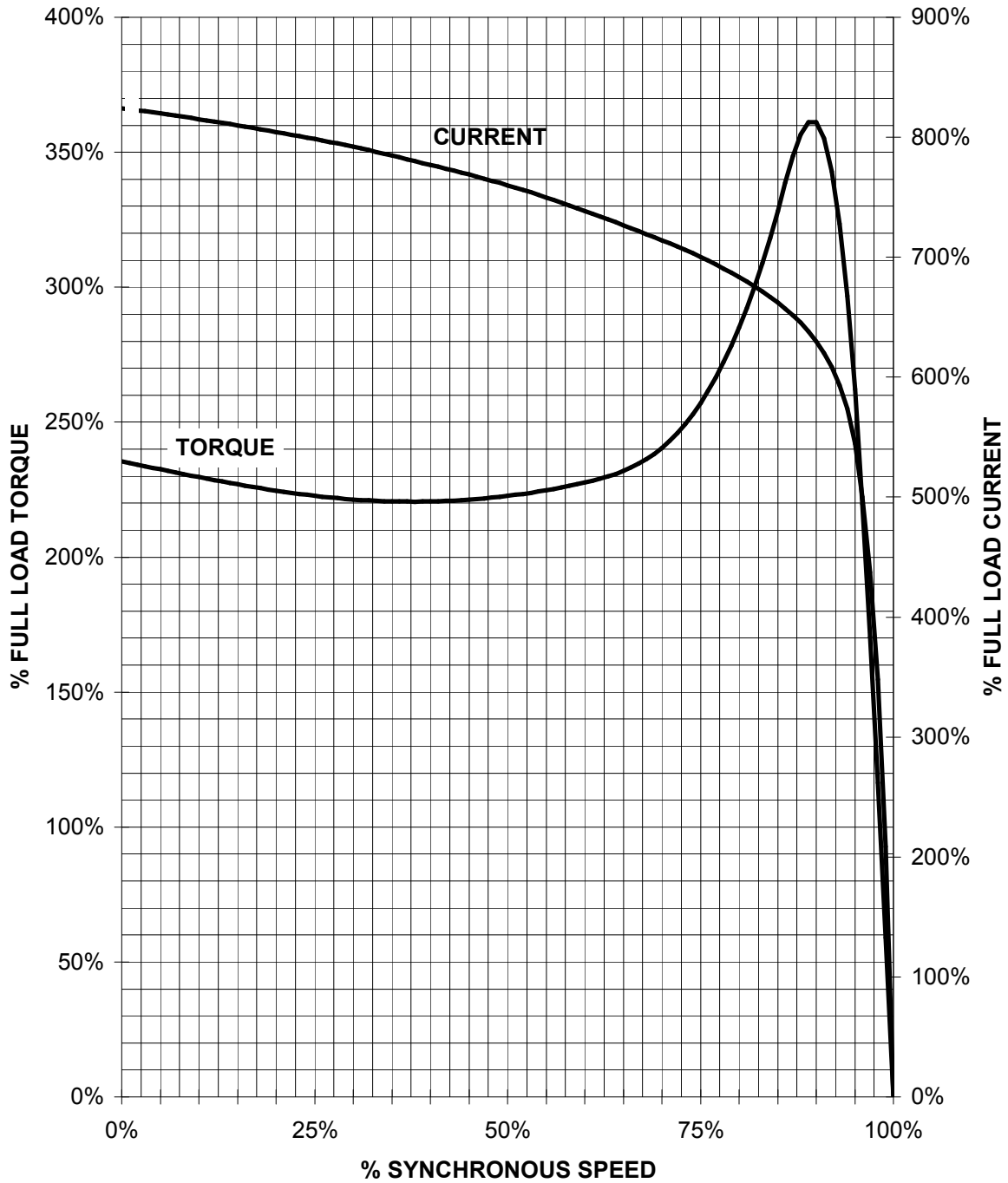
 European Projection/ Proyección Europea		 Motor		g) Se cambió formato a inglés-Español y se especificó tipos en los que aplica este dibujo. g) Changed the format to English-Spanish and was specified in what kind of motors apply this drawing.	
Tol. in mm. acc. to/ Tol. en mm. según DIN-1686-GTB-19 Over/ desde To/ hasta		± 4.5 ± 4.7	± 5 ± 5.5	± 6 ± 6.5	± 7 ± 7.5
Dim. in inches/Dim. en pulg.		Date/ Fecha Drawn/Elab. 29/02/08		Name/Nombre Guzmán	
Type/ Tipo: GP100 182/184T Frame/Arm. Mexico		Scale/ Escala Sin W/O		Outline/ Dimensiones New NEMA Motors	
<b>SIEMENS</b> GUADALAJARA FACTORY		<b>3MSE 221 0850a)</b>		Ref. Rep./ 3MSE 221 0850 S66	

CERTIFIED PRINT/CERTIFICACION					
CUSTOMER/CLIENTE		SPONSOR/CIENTER			
IP	ENV	FRANK/ARM	TYPE/ARM	VOLTS	PHASES
					NZ

# SIEMENS INDUSTRY, INC.

HP 3 VOLTS < 600V RPM 1800 TYPE GP100  
HZ 60 PHASE 3 FRAME 182T NEMA B

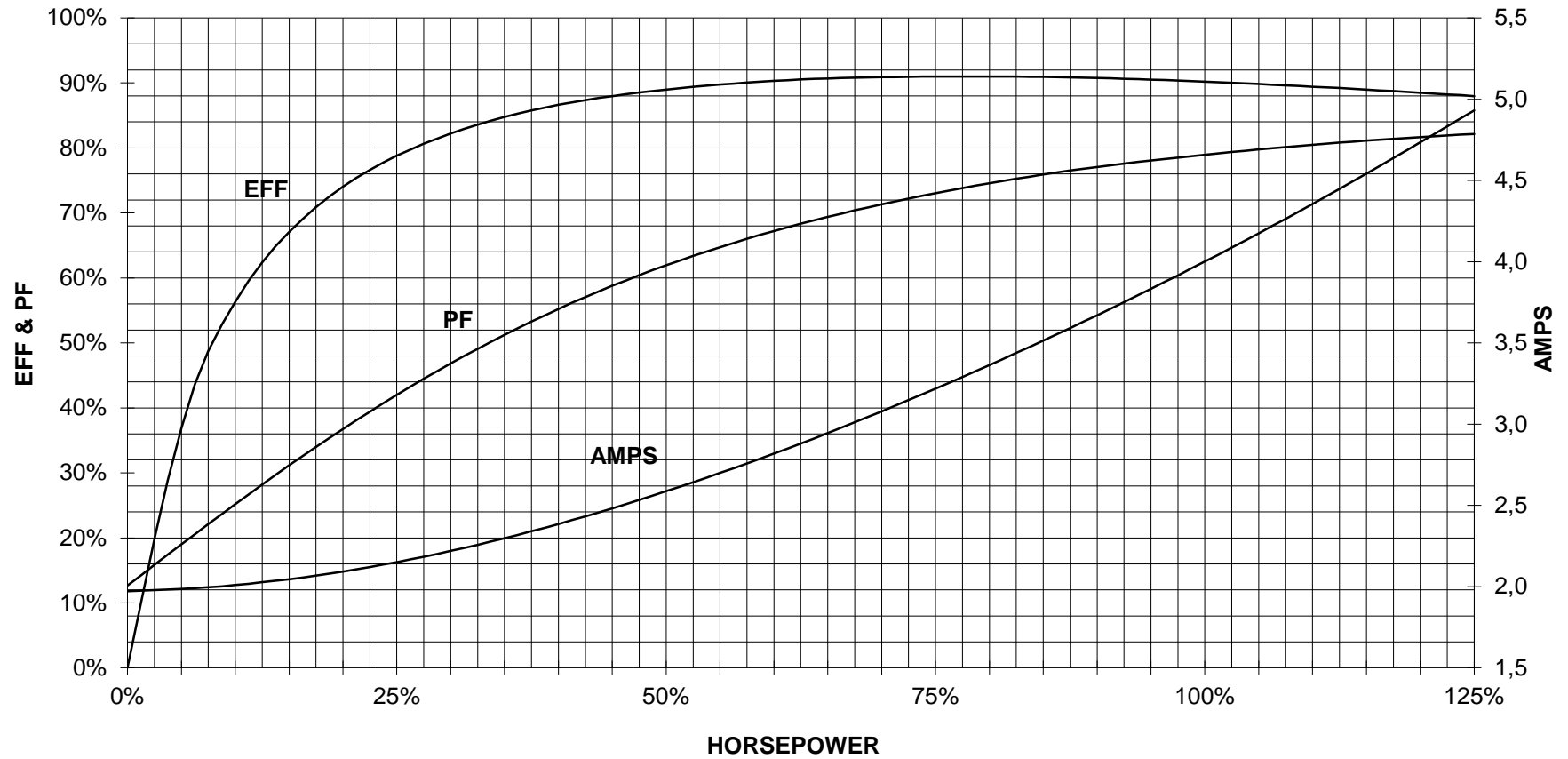
## TORQUE & CURRENT VS. SPEED



CUSTOMER: \_\_\_\_\_ ORDER#: \_\_\_\_\_

3 HP 1800 RPM 182T FRAME 460 VOLTS 3 PHASE NEMA DESIGN B

**SIEMENS INDUSTRY, INC.**  
**PERFORMANCE CURVE**  
**GP100**



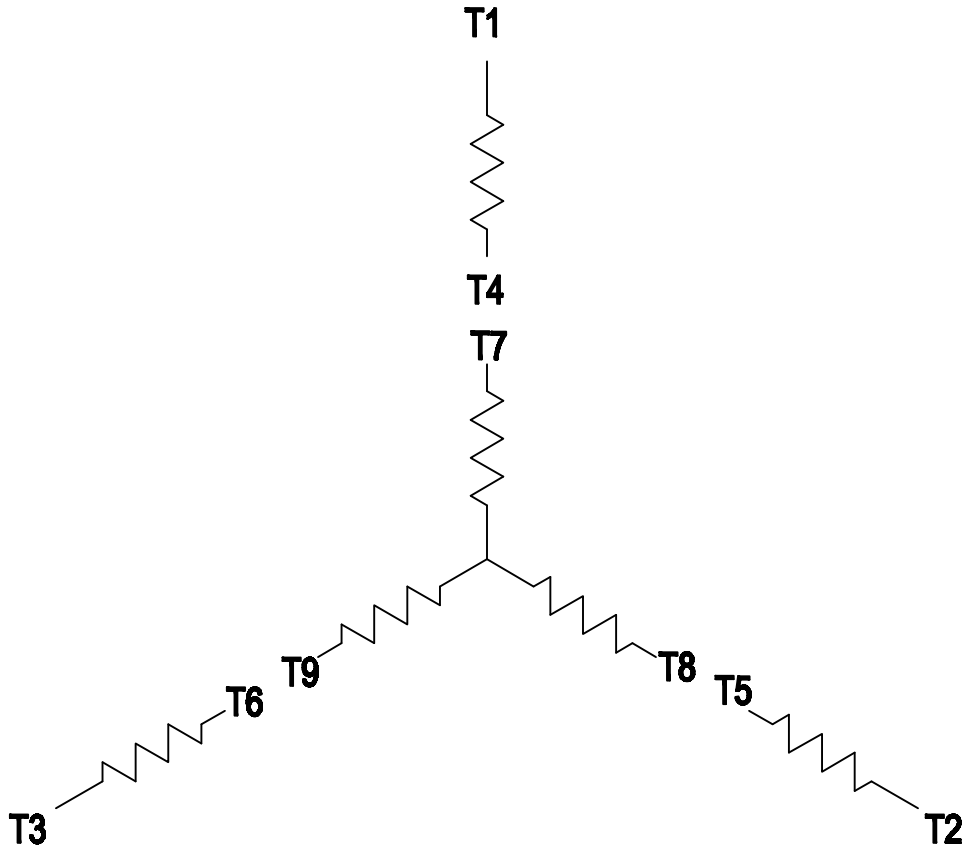
CUSTOMER \_\_\_\_\_ ORDER # \_\_\_\_\_ PO # \_\_\_\_\_

PERFORMANCE BASED ON DESIGN CALCULATIONS. SUBJECT TO CHANGE WITHOUT NOTICE.

REV. 1

### 3 PHASE - 9 LEADS - WYE

VOLTS	LINES			CONNECTED TOGETHER	CONN.
	L1	L2	L3		
LOW	T1 T7	T2 T8	T3 T9	T4 T5 T6	Y Y
HIGH	T1	T2	T3	T4 T7-T5 T8-T6 T9	Y



THIS IS A CAD DRAWING  
DO NOT MAKE MANUAL CHANGES

01 | 09-27-07

TYPE

-CONFIDENTIAL-

PROPERTY OF

Siemens Energy & Automation, Inc.  
Industrial Motor Division - Little Rock, AR

FRAME

HP

NAME

WIRING DIAGRAM

VOLTS

RPM

HZ

PH

3

Customer

PO #

SO #

DRAWN	9.24.07	DATE	JRH
CHECKED		DATE	
APP		DATE	

SHEET 1 OF 1

Sim. To

PART NO.

51-382-114-501

A