



## NEMA Motor Data

MLFB-Ordering data : 1LE2221-1AB41-4AA3

Client order no. :  
Order no. :  
Offer no. :  
Remarks :

Item no. :  
Consignment no. :  
Project :

Nameplate Data	Mounting and motor protection
----------------	-------------------------------

Type:		Rating	Cont.
HP	2.0	Ins. Class	Class F (Standard)
Voltage	(14) 208-230/460V,	S.F.	1.15
Amps	5.6 / 2.8 A	Amb. Temp.	40 deg C
FL RPM	1740	Temp. Rise	Class B
FL Efficiency	86.5 %	kVA Code	L
FRAME	145T	NEMA Des	B
DE AFBMA	25BC02JPP30	Mtr WT	65.92
ODE AFBMA	25BC02JPP30	IP	35
60 Hertz	3 Ph TEFC		

Type of construction	( A ) Foot mounted - End shield
Motor protection	(A) No winding protection
Terminal box design	(3) Mounting - F-1

Bearing Data		
	DE	ODE
Bearing Size	6205 ZZ C3 S0	6205 ZZ C3 S0
Bearing Type	Ball Bearing	Ball Bearing
AFBMA	25BC02JPP30	25BC02JPP30

Typical Performance Data					
Load	No Load	1/2	3/4	Full Load	LRC
Efficiency		86.0 %	87.2 %	86.5 %	
Power Factor		57.8	70.8	77.3	
Current (A)	1.5 A	1.9 A	2.3 A	5.6 / 2.8 A	24.0 A
Inverter Duty	VT	20:1	CT	4:1	

Mechanical Data				
-----------------	--	--	--	--

SAFE STALL TIME	HOT (s)	14	COLD (s)	22
Rtr wt (lbs)	14.79	Rtr WK2	0.17	
FLT (lb-ft)	6.000	LRT	322	BDT 393
Ext Load Inertia (WK2) Capability	105.0 lb-ft <sup>2</sup>			

Typical Noise Data									
--------------------	--	--	--	--	--	--	--	--	--

A-weighted Sound Pressure Level at 3 feet	Octave Band Center Frequencies Hertz (Hz)								SPL	
	125	250	500	1000	2000	4000	8000			
	28	45	47	52	49	43	35	SPwrL	64	55

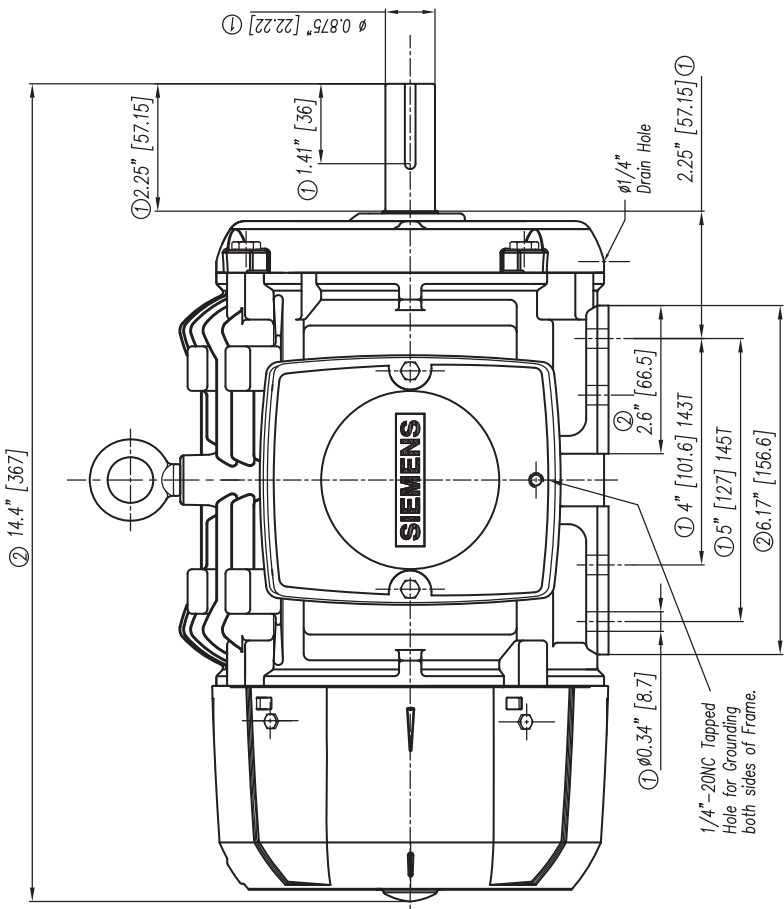
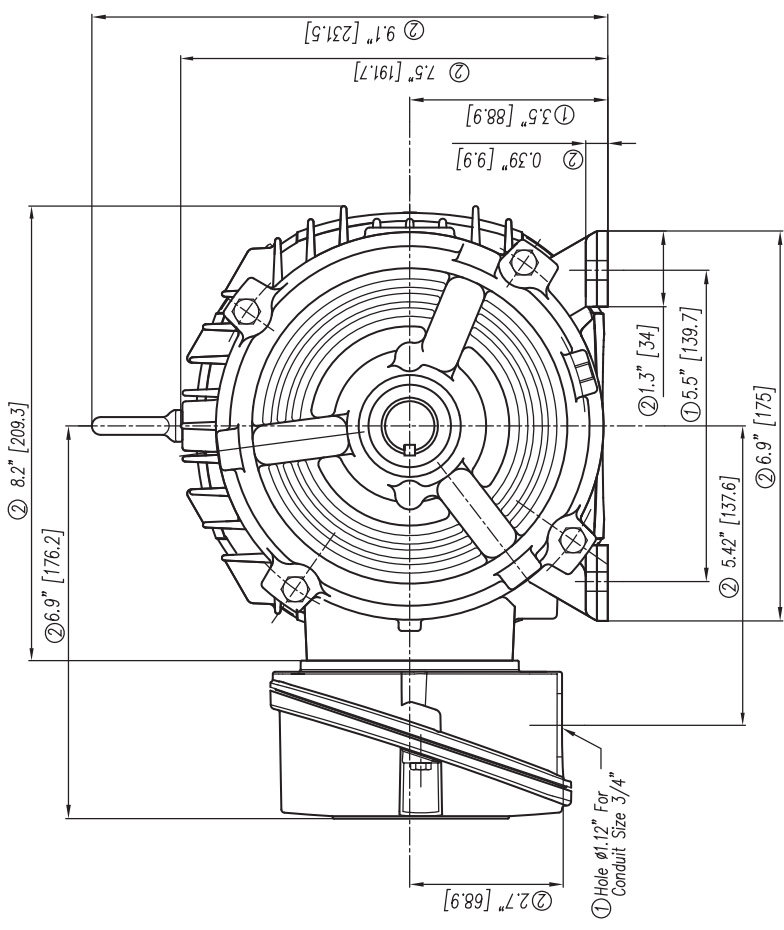
Wiring Connection Information					
-------------------------------	--	--	--	--	--

Description	3 PHASE - 9 LEAD - WYE				
Voltage	L1	L2	L3	Connected together	
LOW	T1 T7	T2 T8	T3 T9	T4 T5 T6 YY	
HIGH	T1	T2	T3	T4 T7-T5 T8-T6 T9 Y	

Special design :
------------------

Lubrication Information	
-------------------------	--

Manufacturer	Mobil Polyrex EM or equal
Type	Polyurea (standard)
DE Capacity (oz.)	0.30
ODEnd Capacity (oz.)	0.30



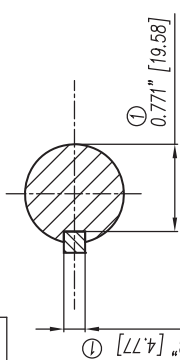
- ① Tolerancias acorde a NEMA Std.
- ② All these dimensions corresponding to assemblies and castings shall have a tolerance as per DIN standard 1686-C1B 19.
- ③ Not According to NEMA Std.

① Tolerancias acorde a NEMA Std.

② Todas estas dimensiones correspondientes a ensambles y fundición en bruto tendrán una tolerancia según DIN 1686-C1B-19

③ No Acorde a NEMA Std.

CERTIFIED PRINT / CERTIFICACION			
CUSTOMER/CLIENTE			
POWER/ORDEN COMPRA	SIEMENS/ORDEN CLIENTE		
HP	FRAME/ARM	TYPE/PP	REV/RS



Keyseat detail  
Detalle Cuñero

Tol. in mm. acc. to Tol. en mm. según DIN-1686-GTB-19		European Projection/Proyeccion Europea		Dim. in inches/Dim. en pulg.		Date/Fecha		Name/Nombre		Scale/ Escala	
Over/desde	To/hasita	Tol. in mm.		Date/Fecha		Name/Nombre		Scale/ Escala		Sin	
18	30	± 4.5	± 4.7	28/02/08	Gugimón		New NEMA Motors		W/O		
30	50	± 5	± 5.5	Drawn/Elab.	GP100		143/145T Frame/Arm.		-		
50	80	± 6	± 6.5	Check/Rev.					-		
80	120	± 6	± 7	Std Ckd/Aut					-		
120	180	± 6.5	± 7.5							-	
180	250	± 7	± 8							-	
250	315	± 7.5	± 8.5							-	
315	400	± 8	± 9.5							-	
400	500	± 8.5	± 10							-	
500	630	± 9.5								-	
630	800	± 10								-	

② al Se cambió formato a Inglés-Español y se especificó tipos en los que aplica este dibujo.  
a) Changed the format to English-Spanish and was specified in what kind of motors apply this drawing.

**SIEMENS**  
GUADALAJARA FACTORY

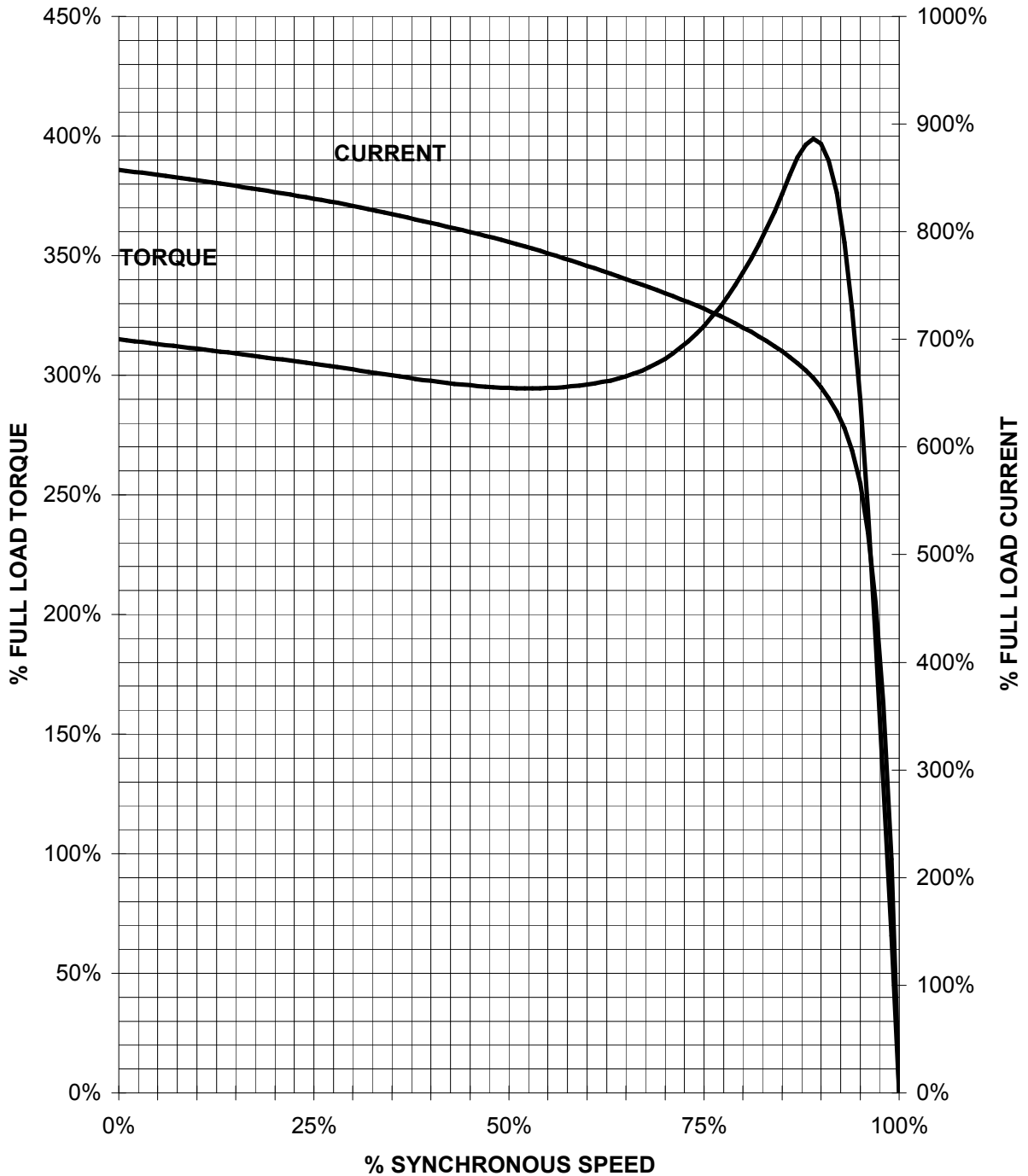
3MSE 220 0850a)

Ref. 1588

# SIEMENS INDUSTRY, INC.

HP 2 VOLTS < 600V RPM 1800 TYPE GP100  
HZ 60 PHASE 3 FRAME 145T NEMA B

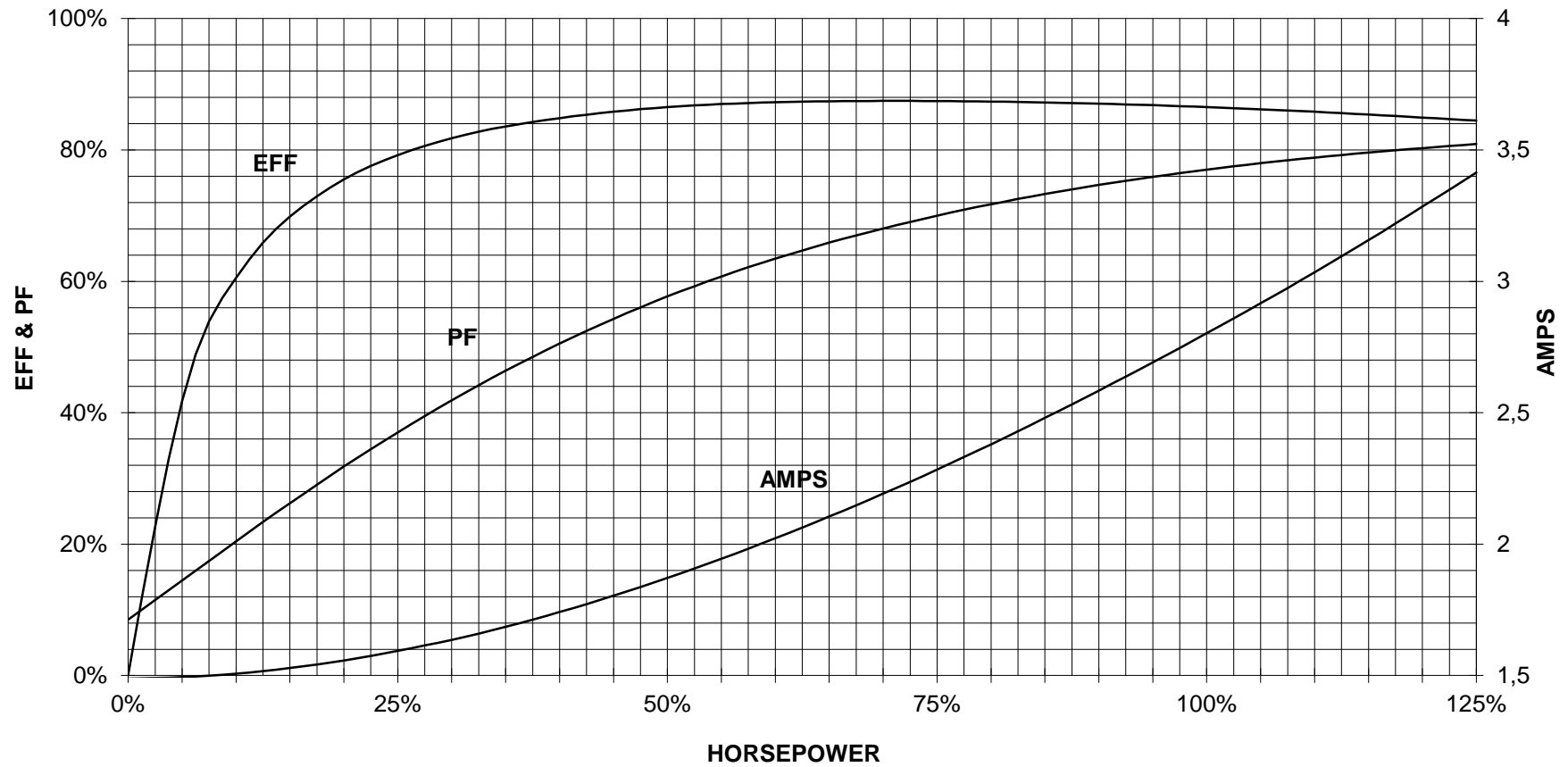
## TORQUE & CURRENT VS. SPEED



CUSTOMER: \_\_\_\_\_ ORDER#: \_\_\_\_\_

2 HP 1800 RPM 145T FRAME 460 VOLTS 3 PHASE NEMA DESIGN B

**SIEMENS INDUSTRY, INC.**  
**PERFORMANCE CURVE**  
**GP100**



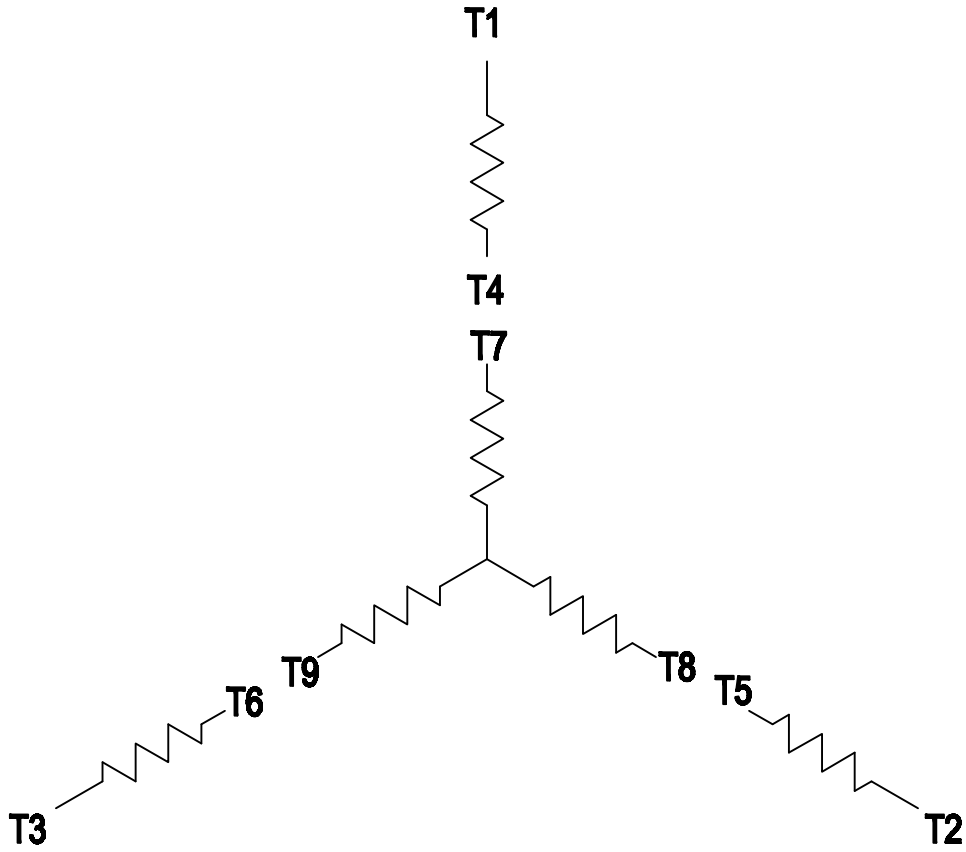
CUSTOMER \_\_\_\_\_ ORDER # \_\_\_\_\_ PO # \_\_\_\_\_

PERFORMANCE BASED ON DESIGN CALCULATIONS. SUBJECT TO CHANGE WITHOUT NOTICE.

REV. 1

### 3 PHASE - 9 LEADS - WYE

VOLTS	LINES			CONNECTED TOGETHER	CONN.
	L1	L2	L3		
LOW	T1 T7	T2 T8	T3 T9	T4 T5 T6	Y Y
HIGH	T1	T2	T3	T4 T7-T5 T8-T6 T9	Y



THIS IS A CAD DRAWING  
DO NOT MAKE MANUAL CHANGES

01 | 09-27-07

TYPE

-CONFIDENTIAL-

PROPERTY OF

Siemens Energy & Automation, Inc.  
Industrial Motor Division - Little Rock, AR

FRAME

HP

NAME

WIRING DIAGRAM

VOLTS

RPM

HZ

PH

3

Customer

PO #

SO #

DRAWN	9.24.07	DATE	JRH
CHECKED		DATE	
APP		DATE	

SHEET 1 OF 1

Sim. To

PART NO.

51-382-114-501

A