



NEMA Motor Data

MLFB-Ordering data : 1LE2221-1AB31-4AA3

Client order no. :
Order no. :
Offer no. :
Remarks :

Item no. :
Consignment no. :
Project :

Nameplate Data	Mounting and motor protection
----------------	-------------------------------

Type: GP100 - NEMA Premium Efficiency

HP	1.5	Rating	Cont.
Voltage	(14) 208-230/460V,	Ins. Class	Class F (Standard)
Amps	4.2 / 2.1 A	S.F.	1.15
FL RPM	1740	Amb. Temp.	40 deg C
FL Efficiency	86.5 %	Temp. Rise	Class B
FRAME	145T	kVA Code	L
DE AFBMA	25BC02JPP30	NEMA Des	B
ODE AFBMA	25BC02JPP30	Mtr WT	65.92
60 Hertz	3 Ph TEFC	IP	35

Type of construction (A) Foot mounted - End shield
Motor protection (A) No winding protection
Terminal box design (3) Mounting - F-1

Bearing Data

	DE	ODE
Bearing Size	6205 ZZ C3 S0	6205 ZZ C3 S0
Bearing Type	Ball Bearing	Ball Bearing
AFBMA	25BC02JPP30	25BC02JPP30

Typical Performance Data

Load	No Load	1/2	3/4	Full Load	LRC
Efficiency		85.8 %	87.0 %	86.5 %	
Power Factor		58.5	71.8	77.3	
Current (A)	1.1 A	1.4 A	1.7 A	4.2 / 2.1 A	19.0 A
Inverter Duty	VT	20:1	CT	4:1	

Mechanical Data

SAFE STALL TIME	HOT (s)	15	COLD (s)	21
Rtr wt (lbs)	14.79	Rtr WK2	0.17	
FLT (lb-ft)	4.500	LRT	333	BDT 422
Ext Load Inertia (WK2) Capability	0.0 lb-ft ²			

Typical Noise Data

A-weighted Sound	Octave Band Center Frequencies Hertz (Hz)								
Pressure Level	125	250	500	1000	2000	4000	8000	SPL	55
at 3 feet	28	45	47	52	49	43	35	SPwrL	64

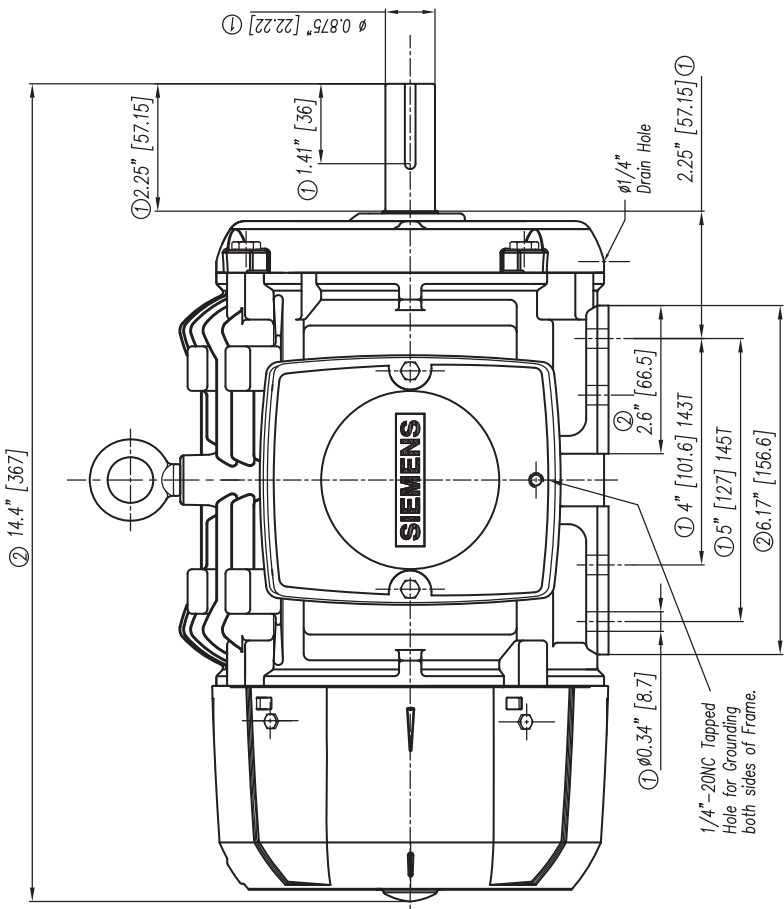
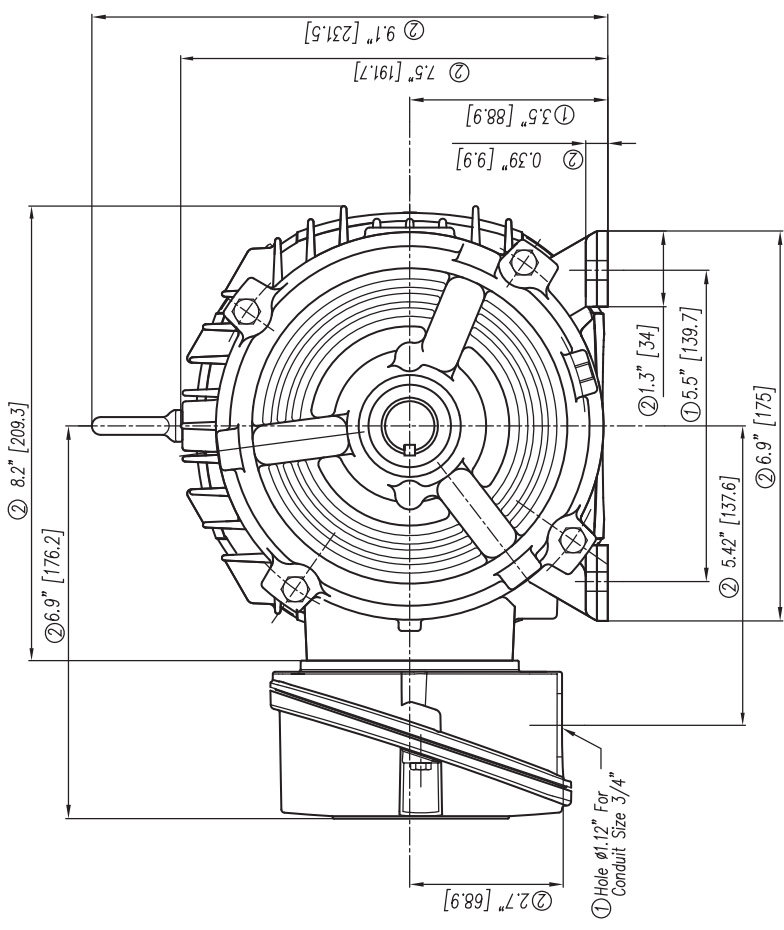
Wiring Connection Information

Description	3 PHASE - 9 LEAD - WYE					
Voltage	L1	L2	L3	Connected together		
LOW	T1 T7	T2 T8	T3 T9	T4 T5 T6 YY		
HIGH	T1	T2	T3	T4 T7-T5 T8-T6 T9 Y		

Special design :

Lubrication Information

Manufacturer	Mobil Polyrex EM or equal
Type	Polyurea (standard)
DE Capacity (oz.)	0.30
ODEnd Capacity (oz.)	0.30

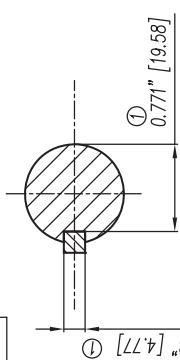


- ① Tolerancias acorde a NEMA Std.
- ② All these dimensions corresponding to assemblies and castings shall have a tolerance as per DIN standard 1686-C1B 19.
- ③ Not According to NEMA Std.

① Tolerancias acorde a NEMA Std.

② Todas estas dimensiones correspondientes a ensamblajes y fundición en bruto tendrán una tolerancia según DIN 1686-C1B-19

③ No Acorde a NEMA Std.



Keyseat detail
Detalle Cuñero

CUSTOMER/CIENTE			
PROY/ORDEN COMPRA	FRAME/ARM	TYPE/PP	REV/RS

CERTIFIED PRINT / CERTIFICACION

Tol. in mm. acc. to / Tol. en mm. según DIN-1686-GTB-19	Over / desde	To / hasta
18	30	± 4.5
30	50	± 4.7
50	80	± 5
80	120	± 5.5
120	180	± 6
180	250	± 6.5
250	315	± 7
315	400	± 7.5
400	500	± 8
500	630	± 8.5
630	800	± 9.5
800	1000	± 10

European Projection / Proyeccion Europea	Dim. in inches / Dim. en pulg.

②

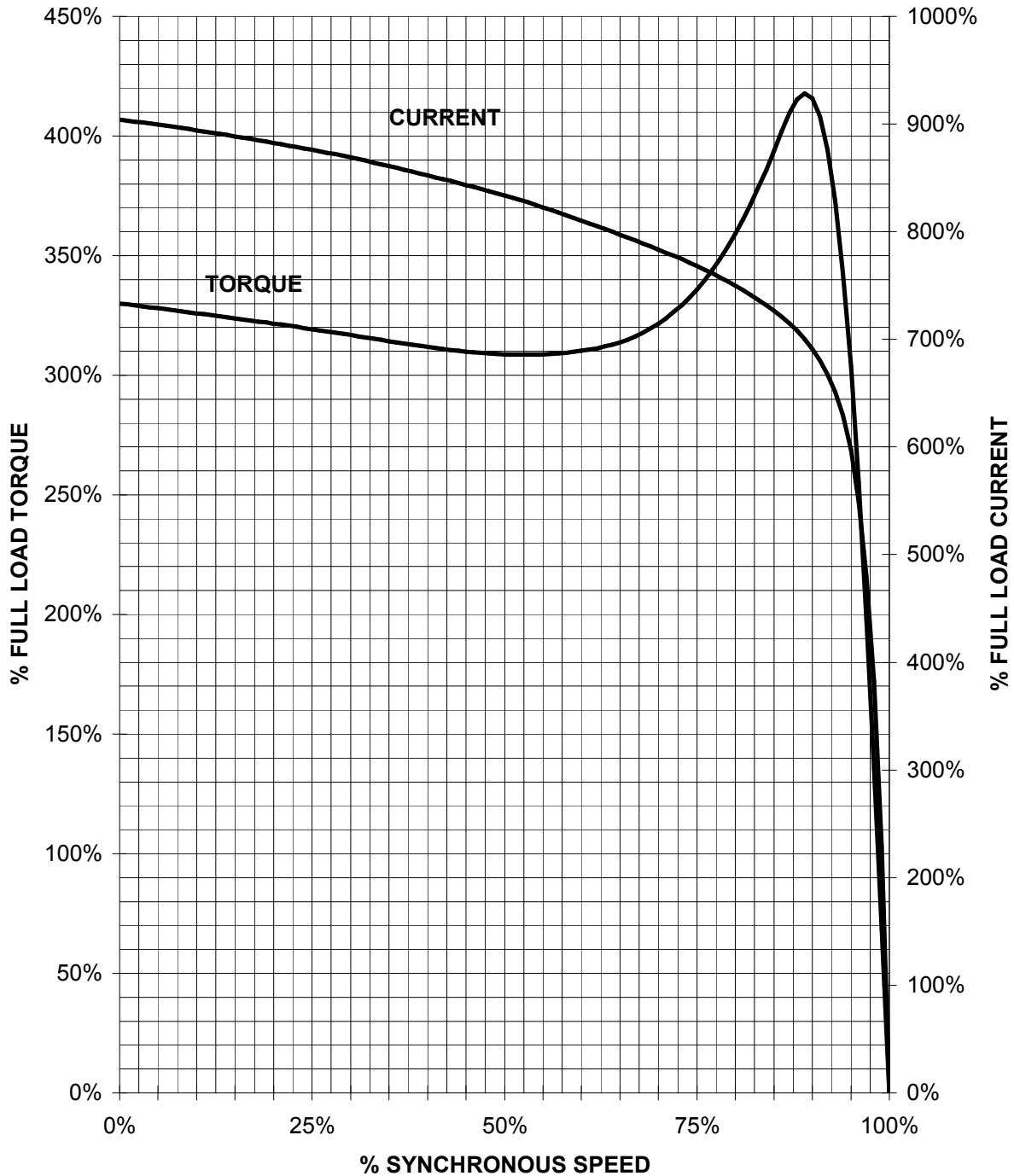
a) Se cambió formato a Inglés-Español y se especificó tipos en los que aplica este dibujo.
 a) Changed the format to English-Spanish and was specified in what kind of motors apply this drawing.

Scale / Escala	W/O
Outline / Dimensiones	New NEMA Motors
Type / Tipo	GP100 143/145T Frame/Arm.
SIEMENS	3MSE 220 0850a)
GUADALAJARA FACTORY	Ref. 1588

SIEMENS INDUSTRY, INC.

HP 1,5 VOLTS < 600V RPM 1800 TYPE GP100
HZ 60 PHASE 3 FRAME 145T NEMA B

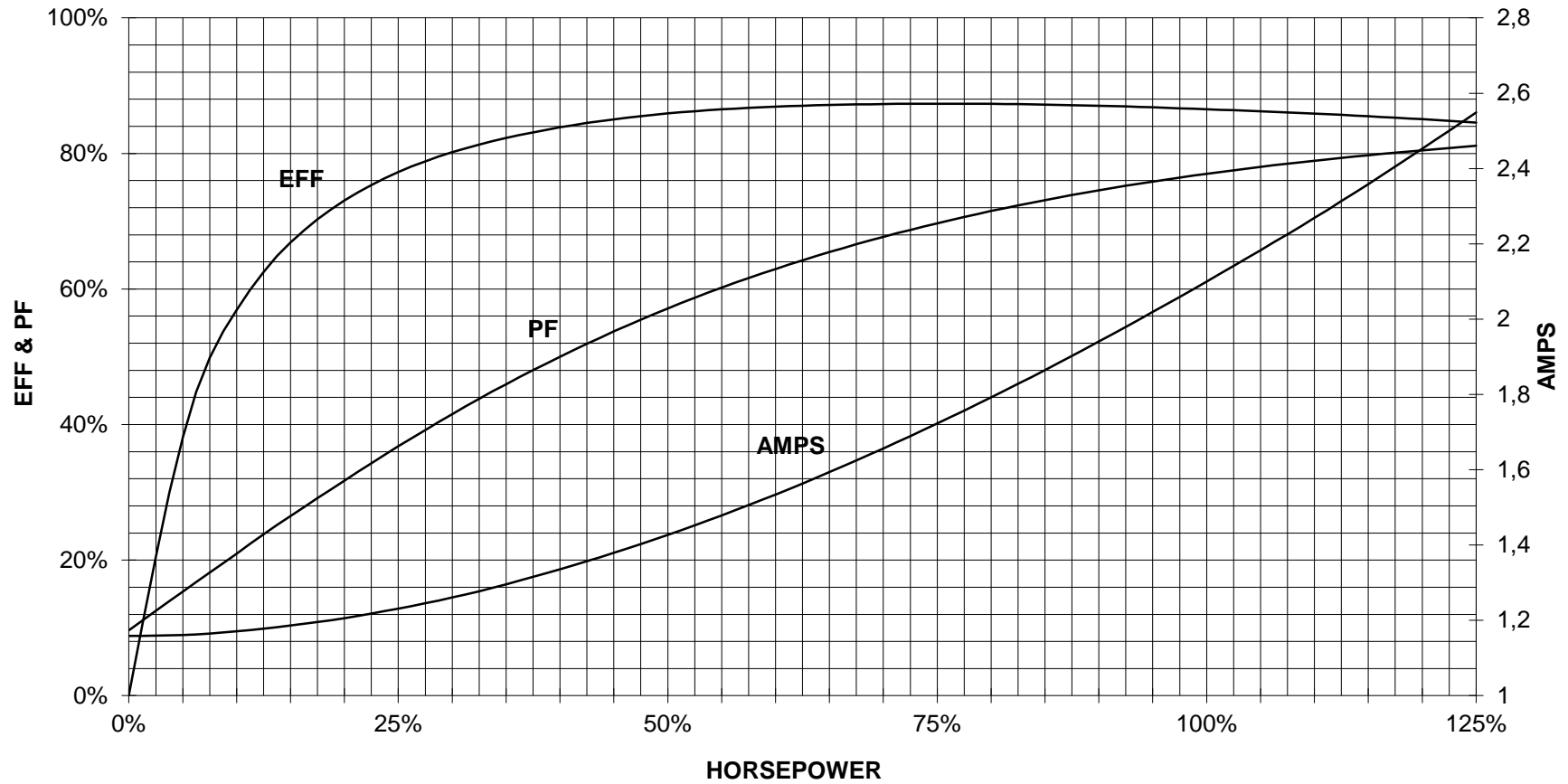
TORQUE & CURRENT VS. SPEED



CUSTOMER: _____ ORDER#: _____

1.5 HP 1800 RPM 145T FRAME 460 VOLTS 3 PHASE NEMA DESIGN B

SIEMENS INDUSTRY, INC.
PERFORMANCE CURVE
GP100



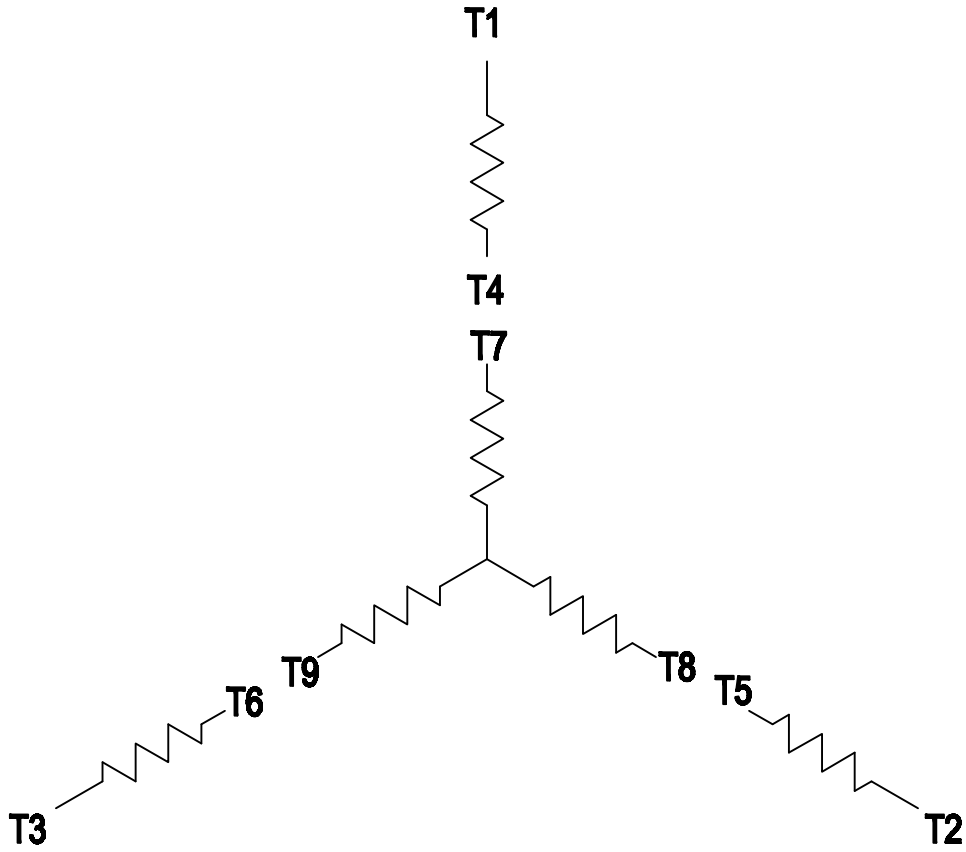
CUSTOMER _____ ORDER # _____ PO # _____

PERFORMANCE BASED ON DESIGN CALCULATIONS. SUBJECT TO CHANGE WITHOUT NOTICE.

REV. 1

3 PHASE - 9 LEADS - WYE

VOLTS	LINES			CONNECTED TOGETHER	CONN.
	L1	L2	L3		
LOW	T1 T7	T2 T8	T3 T9	T4 T5 T6	Y Y
HIGH	T1	T2	T3	T4 T7-T5 T8-T6 T9	Y



THIS IS A CAD DRAWING
DO NOT MAKE MANUAL CHANGES

01 | 09-27-07

TYPE

-CONFIDENTIAL-

PROPERTY OF

Siemens Energy & Automation, Inc.
Industrial Motor Division - Little Rock, AR

FRAME

HP

NAME

WIRING DIAGRAM

VOLTS

RPM

HZ

PH

3

Customer

PO #

SO #

DRAWN

9.24.07

DATE

JRH

CHECKED

DATE

APP

DATE

SHEET

1 OF 1

Sim. To

PART NO.

51-382-114-501

A