



NEMA Motor Data

MLFB-Ordering data : 1LE2221-3CB11-6AA3

Client order no. :
Order no. :
Offer no. :
Remarks :

Item no. :
Consignment no. :
Project :

Nameplate Data	Mounting and motor protection
----------------	-------------------------------

Type:		Rating	Cont.
HP	60.0	Ins. Class	Class F (Standard)
Voltage	(16) 230/460V, STD	S.F.	1.15
Amps	136.0 / 68.0 A	Amb. Temp.	40 deg C
FL RPM	1780	Temp. Rise	Class B
FL Efficiency	95.0 %	kVA Code	G
FRAME	364T	NEMA Des	B
DE AFBMA	70BC03JP30	Mtr WT	880.01
ODE AFBMA	70BC02JPP30	IP	54
60 Hertz	3 Ph TEFC		

Type of construction	(A) Foot mounted - End shield
Motor protection	(A) No winding protection
Terminal box design	(3) Mounting - F-1

Bearing Data		
	DE	ODE
Bearing Size	6314 Z C3 S0	6214 ZZ C3 S0
Bearing Type	Ball Bearing	Ball Bearing
AFBMA	70BC03JP30	70BC02JPP30

Typical Performance Data					
Load	No Load	1/2	3/4	Full Load	LRC
Efficiency		95.2 %	95.4 %	95.0 %	
Power Factor		77.0	85.0	87.0	
Current (A)	21.0 A	38.3 A	52.0 A	136.0 / 68.0	435.0 A
Inverter Duty	VT	20:1	CT	4:1	

Mechanical Data				
SAFE STALL TIME	HOT (s)	26	COLD (s)	38
Rtr wt (lbs)	223.25	Rtr WK2	16.9	
FLT (lb-ft)	177.000	LRT	180	BDT 240
Ext Load Inertia (WK2) Capability	105.0 lb-ft ²			

Typical Noise Data									
--------------------	--	--	--	--	--	--	--	--	--

A-weighted Sound	Octave Band Center Frequencies Hertz (Hz)								
Pressure Level	125	250	500	1000	2000	4000	8000	SPL	64
at 3 feet	42	52	56	58	58	57	52	SPwrL	75

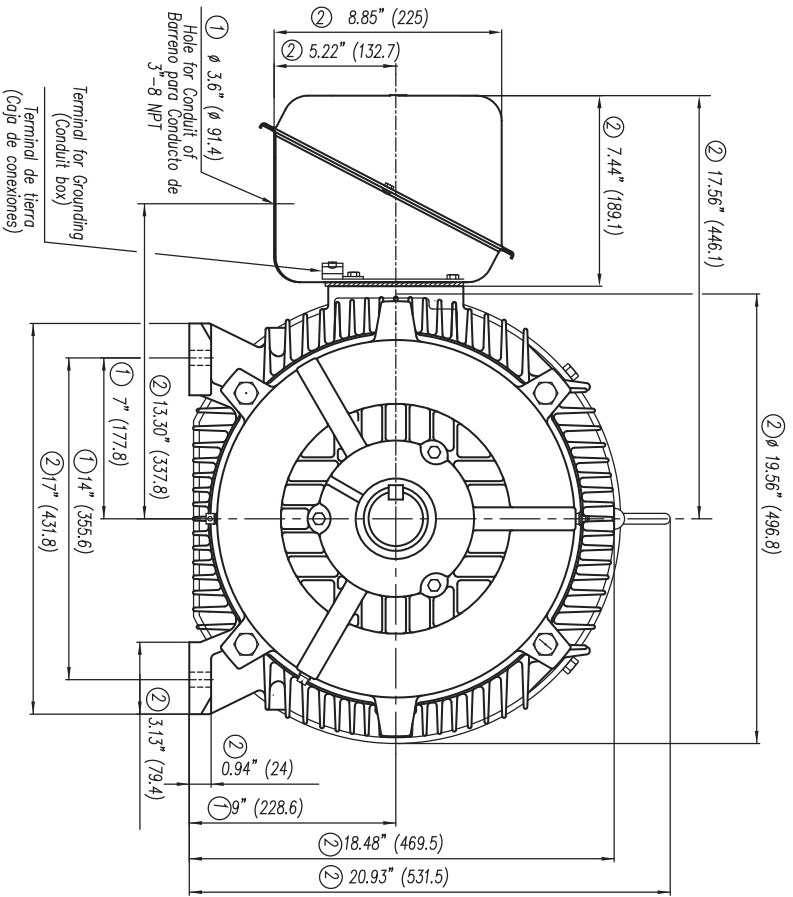
Wiring Connection Information				
-------------------------------	--	--	--	--

Description	3 PHASE - 9 LEAD - DELTA				
Voltage	L1	L2	L3	Connected together	
LOW	T1 T7 T6	T2 T8 T4	T3 T9 T5	--- -- Δ Δ	
HIGH	T1	T2	T3	T4 T7-T5 T8-T6 T9 Δ	

Special design :

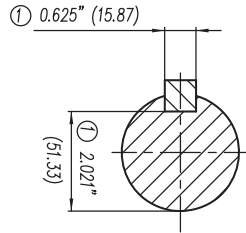
Lubrication Information	
-------------------------	--

Manufacturer	Mobil Polyrex EM or equal
Type	Polyurea (standard)
DE Capacity (oz.)	7.50
ODEnd Capacity (oz.)	6.70

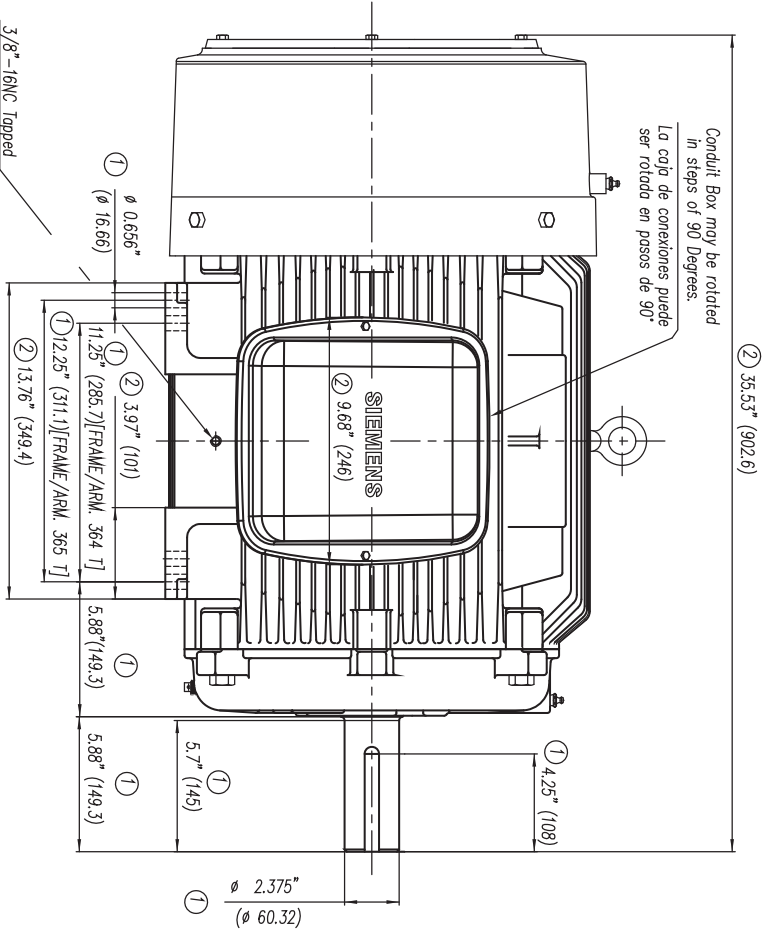


① Tolerancias According to NEMA Std.
 ② All these dimensions corresponding to assemblies and castings shall have a tolerance as per DIN standard 1686-GTB 19.

① Tolerancias acorde a NEMA Std.
 ② Todos estos dimensiones correspondientes a ensambles y fundición en bruto tendrán una tolerancia según DIN 1686-GTB-19



Keyseat detail
 Detalle Cuñero



② 35.53" (902.6)

Conduit Box may be rotated in steps of 90 Degrees.
 La caja de conexiones puede ser rotada en pasos de 90°

3/8"-16NC Tapped Hole for Grounding Both sides of Frame (Rosca para Tierra en ambos lados)

CERTIFIED PRINT / CERTIFICACION			
DESIGN/CLIENTE		SIGNATURE/CLIENTE	
PARTS/COMPANIA		TYPE/PRO	
IP	FR	SCALE/ESCALA	RE

Toll. in mm. acc. to/Toll. en mm. según DIN-1686-GTB-19	Over/desde to/hasta	18	± 4.5
		30	± 4.7
		50	± 5
		80	± 5.5
		120	± 6
		180	± 6.5
		250	± 7
		315	± 7.5
		400	± 8
		500	± 8.5
		630	± 9.5
		800	± 10

Dim. in inches/Dim. en pulg.	European Projection/Proyeccion Europea	Modific.
Date/Fecha	Name/Nombre	
08/04/10	A. Perez	
Drawn/Elab	Check/Rev.	Std./Cdd./Aut.
08/04/10	A. Red	

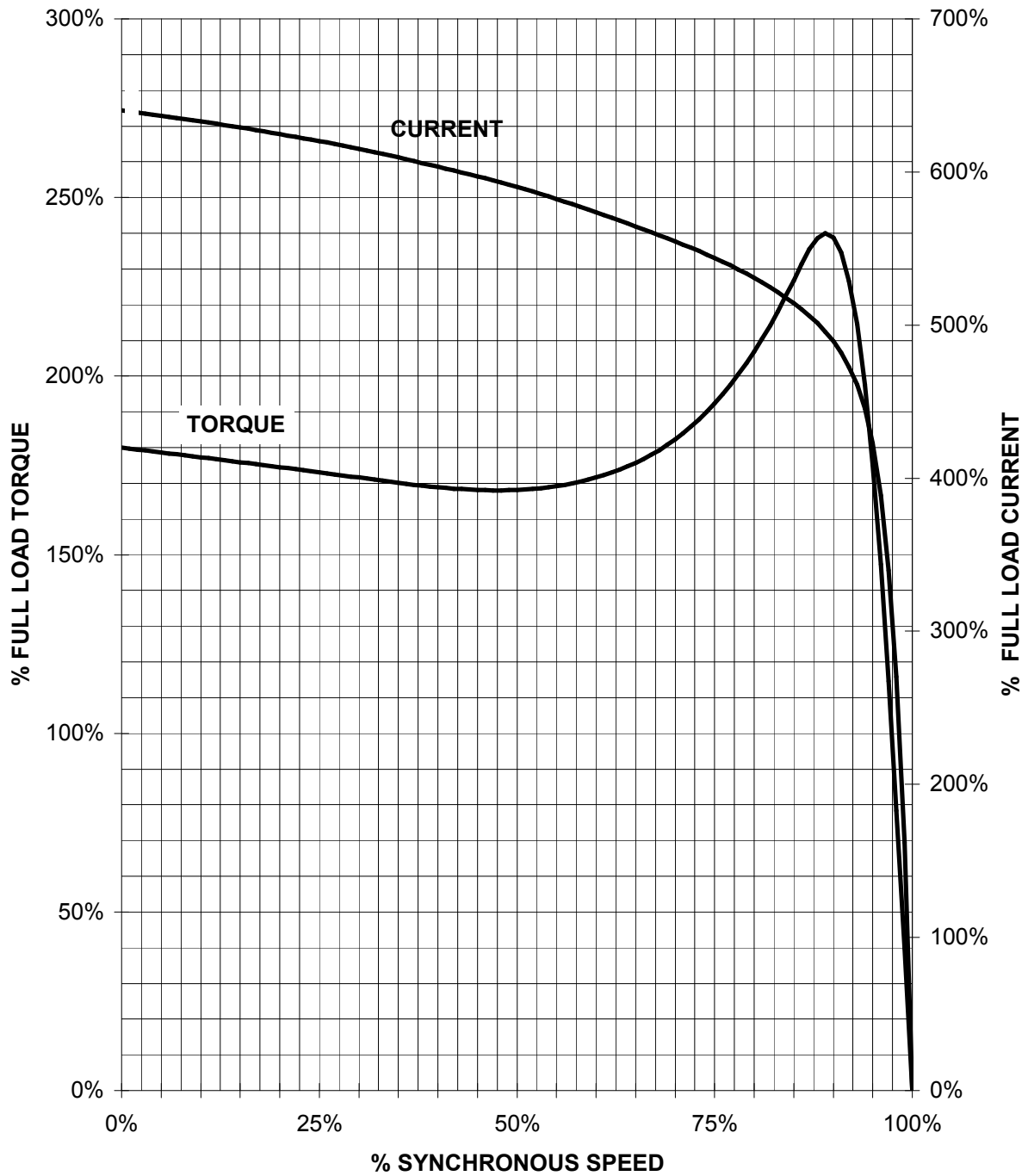
SIEMENS	GUADALAJARA FACTORY
3MSE 730 1410	Ref. 3MSE 730 1155
Rep. 1/1	Rep. 1/1

Outline/Dimensiones	Scale/Escala
Long Shaft/ Espiga Larga	W/O
Typo: GP100 mNP FRAME/ARM. 364/365T 2..8 Pol.	SIN

SIEMENS INDUSTRY, INC.

HP 60 VOLTS < 600V RPM 1800 TYPE GP100
HZ 60 PHASE 3 FRAME 364T NEMA B

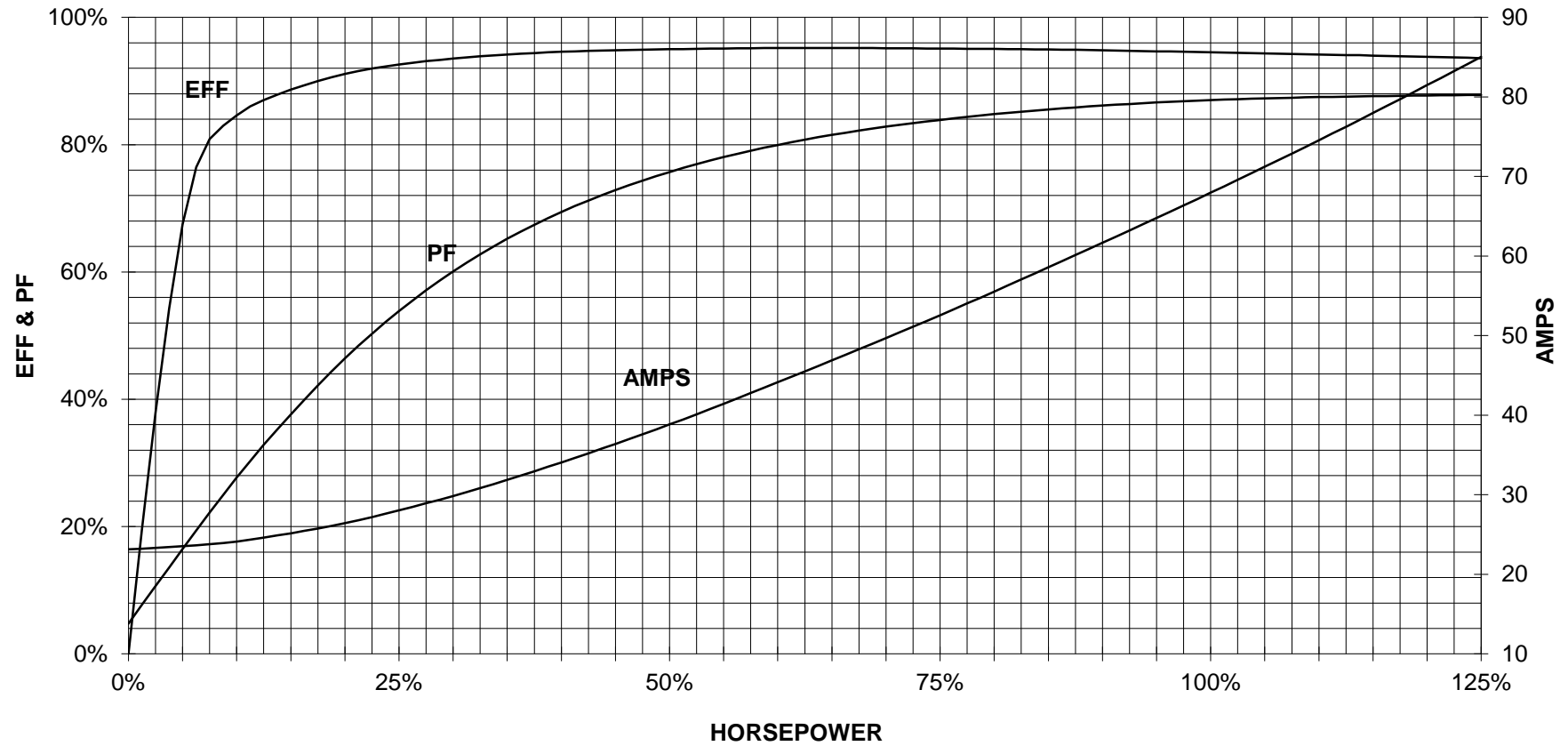
TORQUE & CURRENT VS. SPEED



CUSTOMER: _____ ORDER#: _____

60 HP 1800 RPM 364T FRAME 460 VOLTS 3 PHASE NEMA DESIGN B

SIEMENS INDUSTRY, INC.
PERFORMANCE CURVE
GP100



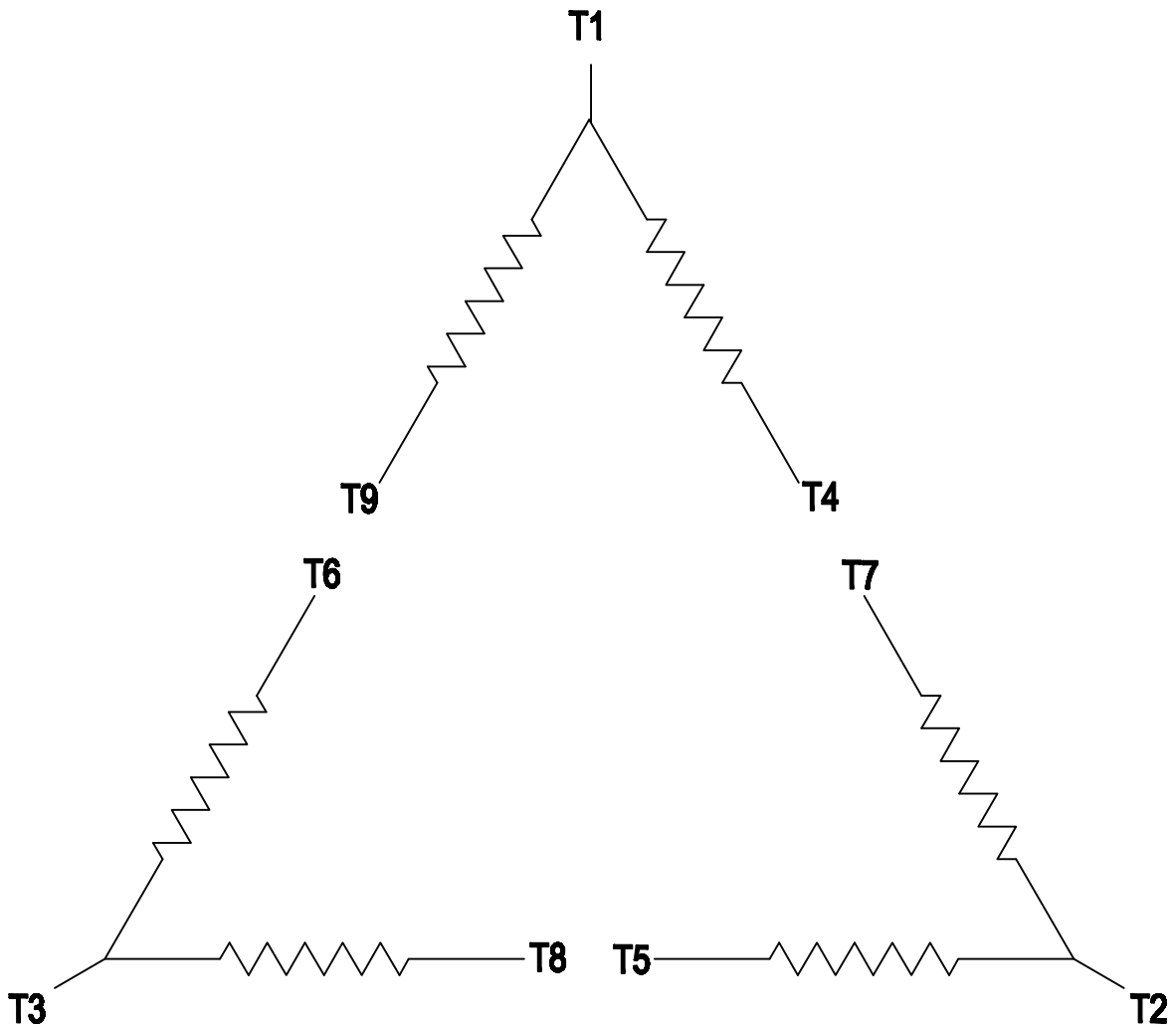
CUSTOMER: _____ ORDER #: _____

PERFORMANCE BASED ON DESIGN CALCULATIONS. SUBJECT TO CHANGE WITHOUT NOTICE.

REV. 1

2

1



B

B

A

A

3 PHASE - 9 LEADS - DELTA

VOLTS	LINES			CONNECTED TOGETHER	CONN.
	L1	L2	L3		
LOW	T1 T7 T6	T2 T8 T4	T3 T9 T5		△ △
HIGH	T1	T2	T3	T4 T7-T5 T8-T6 T9	△

THIS IS A CAD DRAWING
DO NOT MAKE MANUAL CHANGES

01	09-27-07	TYPE		-CONFIDENTIAL-				PROPERTY OF Siemens Little Rock, AR	
FRAME		HP		NAME WIRING DIAGRAM					
VOLTS		RPM	HZ	PH 3		Customer			
DRAWN 9.24.07		DATE		JRH		PO #		SO #	
CHECKED		DATE		APP		SHEET 1 OF 1		Sim. To	
						PART NO. 51-382-114-504		A	

2

1